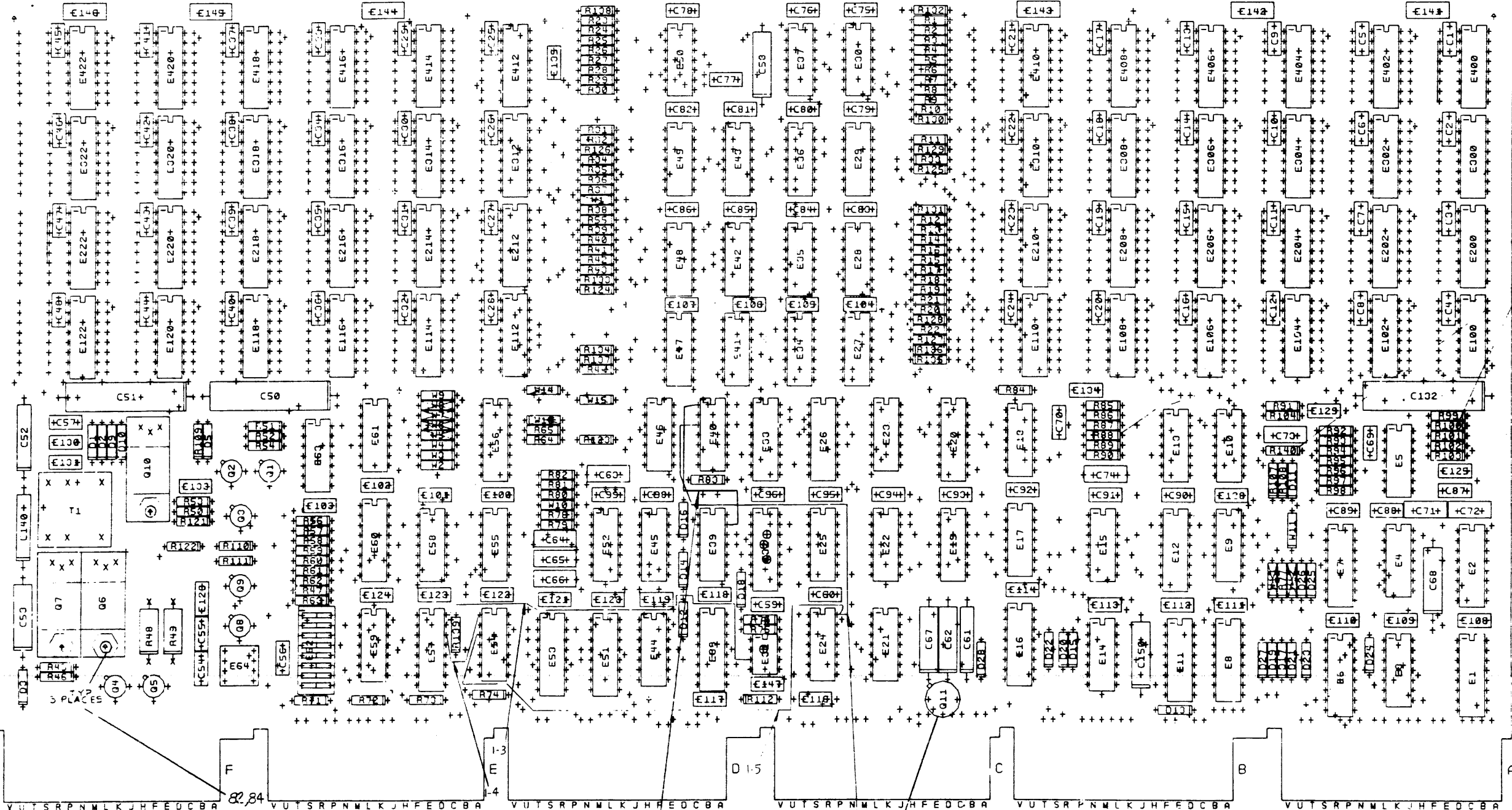


MODULE VARIATION M8417-AA

COMPONENT SIDE VIEW



SEE NOTE 1

NOTES: 1. R100, R140 & R88 WILL NOT BE INSTALLED AT ASSEMBLY, BUT AT MEMORY TEST, IF NEEDED.
2. M8417-AA = M8417-AB, AC, ETC. = (KX12 BIT MEMORY).

CHANGE NO	REV	DATE	BY	CHKD
1	1	7-20-77	J STEGEMAN	J STEGEMAN
2	1	7-20-77	J STEGEMAN	J STEGEMAN
3	1	7-20-77	J STEGEMAN	J STEGEMAN
4	1	7-20-77	J STEGEMAN	J STEGEMAN
5	1	7-20-77	J STEGEMAN	J STEGEMAN
6	1	7-20-77	J STEGEMAN	J STEGEMAN
7	1	7-20-77	J STEGEMAN	J STEGEMAN
8	1	7-20-77	J STEGEMAN	J STEGEMAN
9	1	7-20-77	J STEGEMAN	J STEGEMAN
10	1	7-20-77	J STEGEMAN	J STEGEMAN

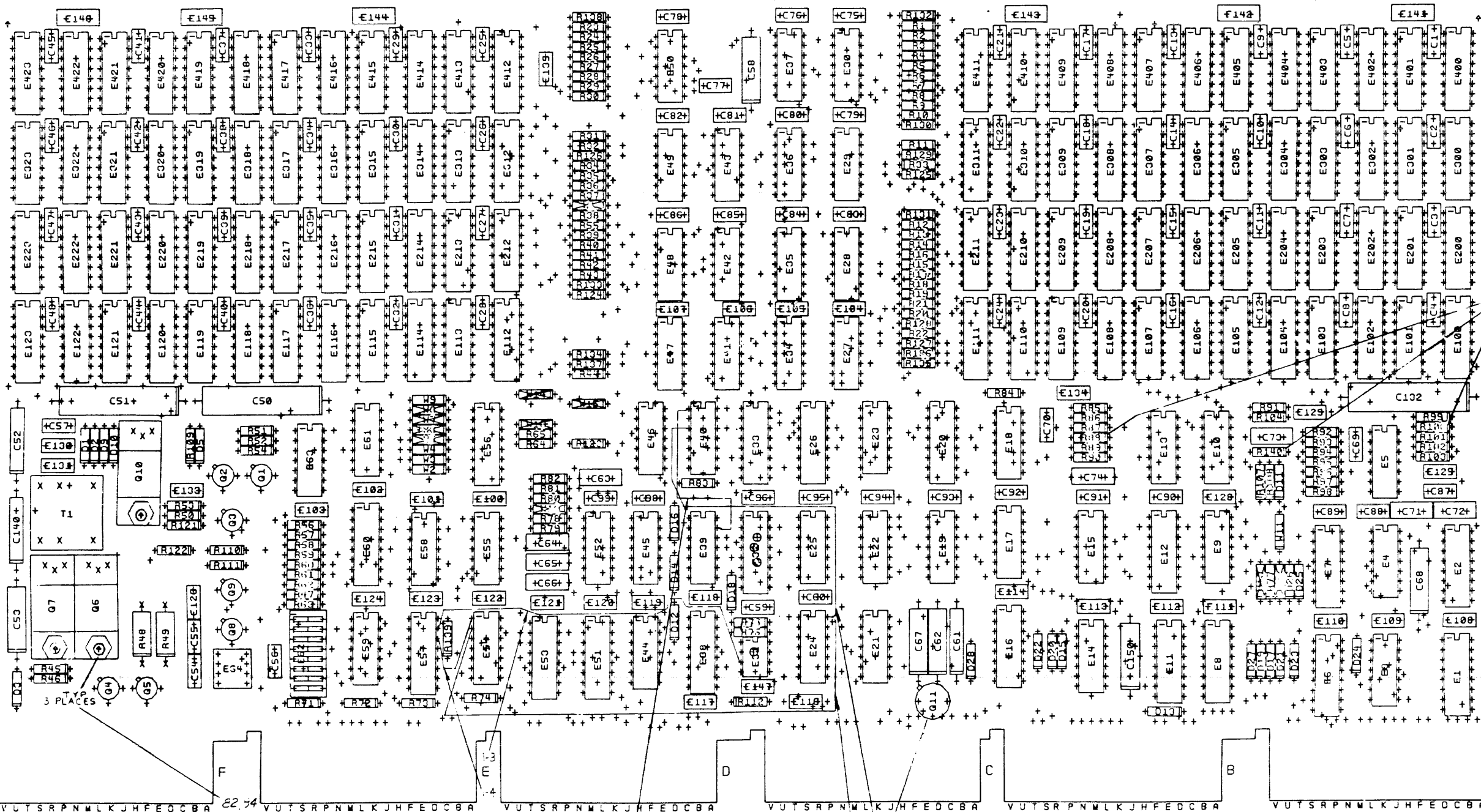
FOR PARTS LIST, SEE B-PL-M8417-0-0

ETCH REV. B	SIGNATURES	DATE
P.C. DESIGN DATA BASE REV. B1	DRN. J. Stegeman	5-19-77
	CHK'D. J. Stegeman	5-19-77
	ENC. J. Stegeman	7-20-77
	PROJ. ENG. J. Stegeman	7-20-77
	PROD. J. Stegeman	7-20-77
	SCALE 2/1	7-20-77
	SHT. 1 OF 8	
	NEXT HIGHER ASSY. E-DD-M8417-0	

TITLE	PDP 8 MOS MEMORY
SIZE CODE	NUMBER
1 UA	M8417-0-0
REV	E

MODULE VARIATION M8417-BA

COMPONENT SIDE VIEW



SEE NOTE 1

NOTES: 1. R100, R103 & R106 WILL NOT BE INSTALLED AT ASSEMBLY BUT AT MEMORY TEST, IF NEEDED
 2. M8417-BA = M8417-00, 01, 02, ETC = (32KX12 BIT MEMORY)

FOR PARTS LIST
 SEE B-PL M8417-0-0

CHANGE NO REV	SIGNATURES		DATE	digital
	DRN		5-19-71	
	CHK'D		5-19-71	
	ENG.		5-19-71	
	PROJ. ENG.		5-19-71	
SCALE 2:1			TITLE	MOS MEMORY
SHT. 2 OF 8			SIZE CODE	
NEXT HIGHER ASSY.			NUMBER	REV
ETCH REV.			0 UA M8417-0-0	
P.C. DESIGN DATA BASE REV.				

LAYER 1

M8417 5012701B

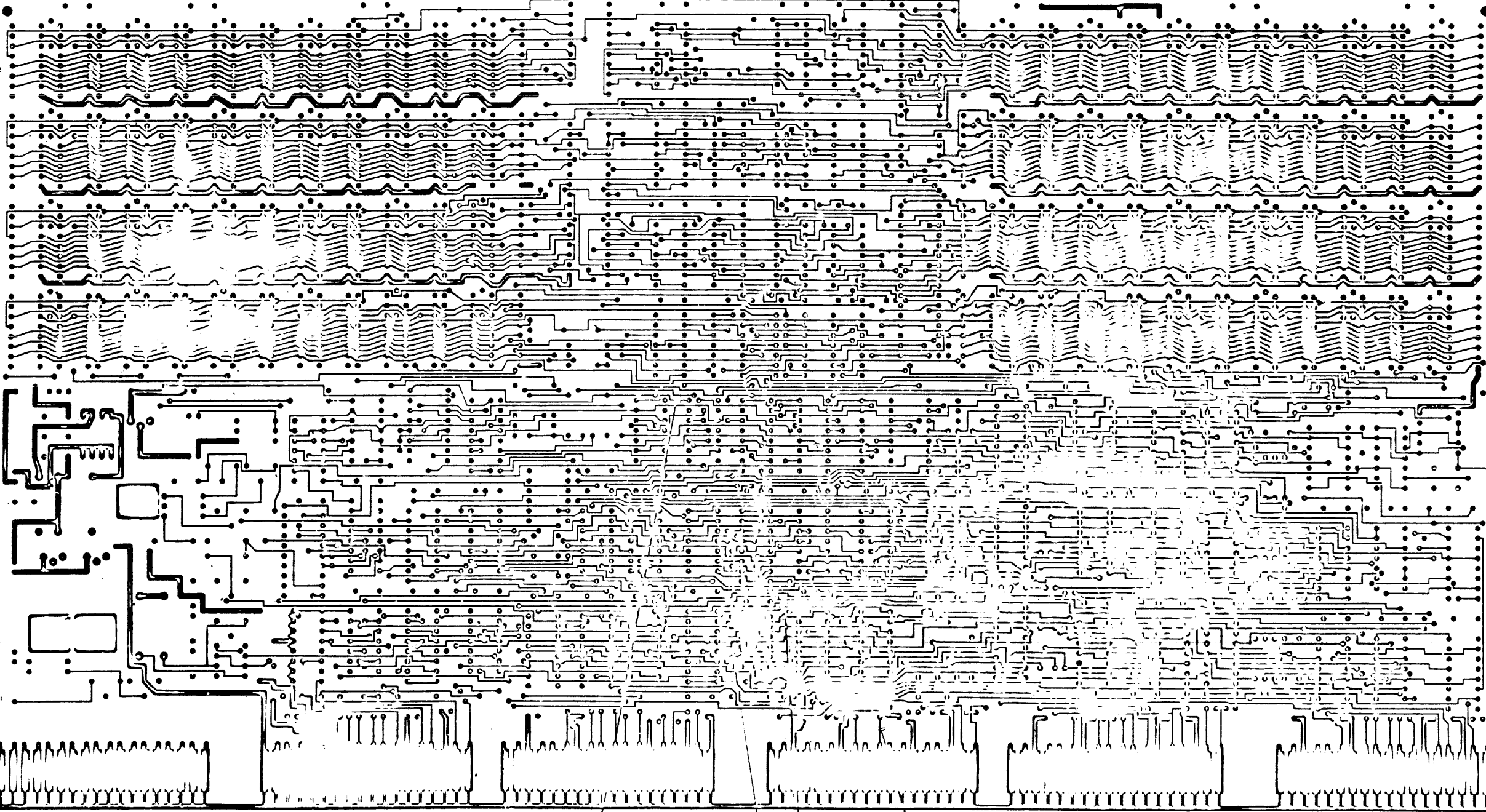
L1

CSXABCDEFGHIJKLMPRS

SIDE 1

digital

E423 E422 E421 E420 E419 E418 E417 E416 E415 E414 E413 E412 E60 E37 E30 E411 E410 E409 E408 E407 E406 E405 E404 E403 E402 E401 E400



3-1

1-2

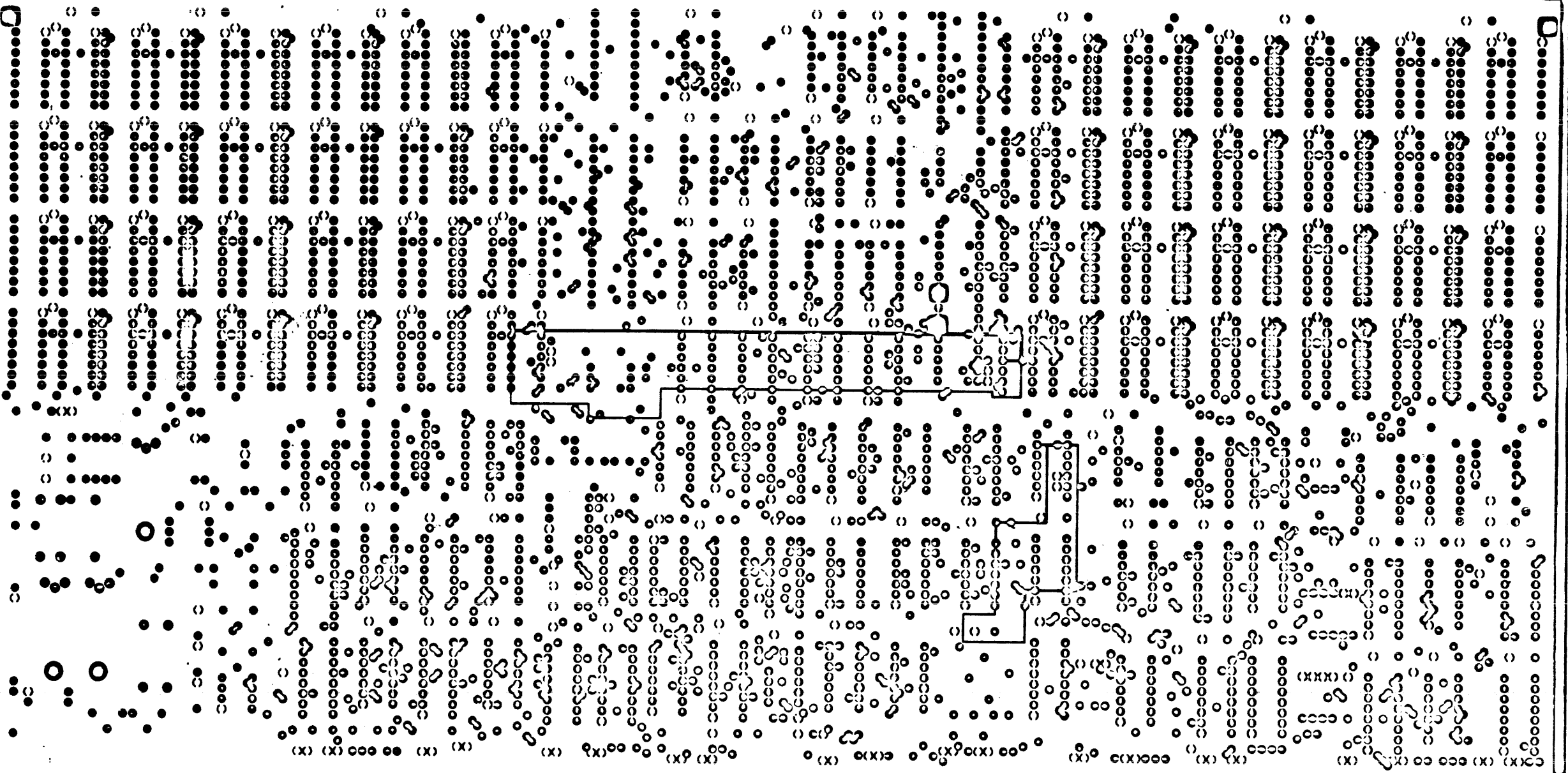
2-1

PDP8		REV	
MOS MEMORY		DJA M8417-2-0	
2/1	3	6	E

M8417

5012701B

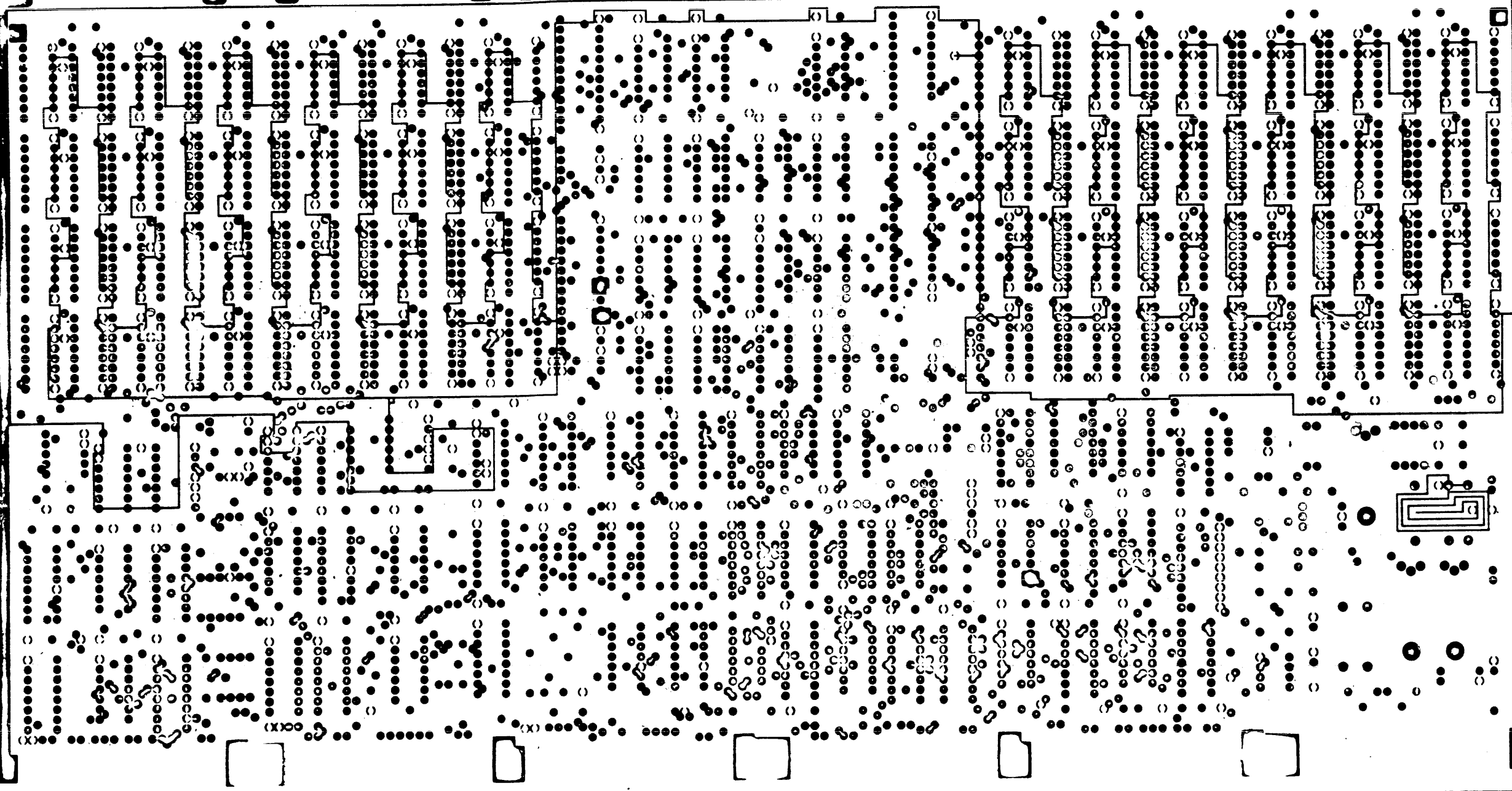
M8417B



TITLE	PDP 8 MOS MEMORY		SIC	DUA	NUMBER	M8417-0-0	REV	E
SCALE	2/1	SHEET	4 OF 8	DIST				

M8417B

L3

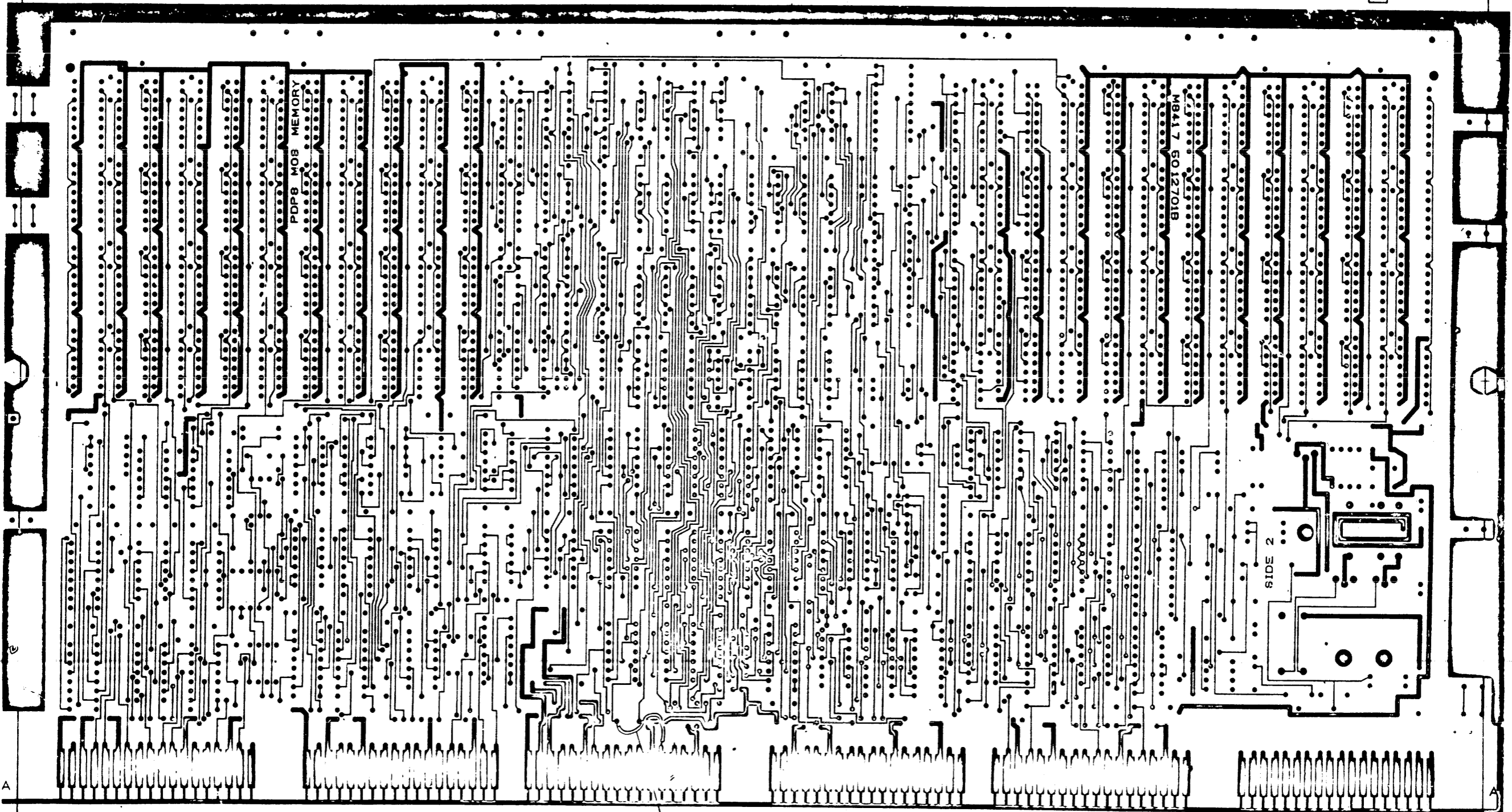


DDP8 MOS MEMORY		SIZE	NO. IN H	REV
271	5 OF 8	D UA	M8417-0-0	E
SCALE	SHEET	DIST		

2 m-

AYER

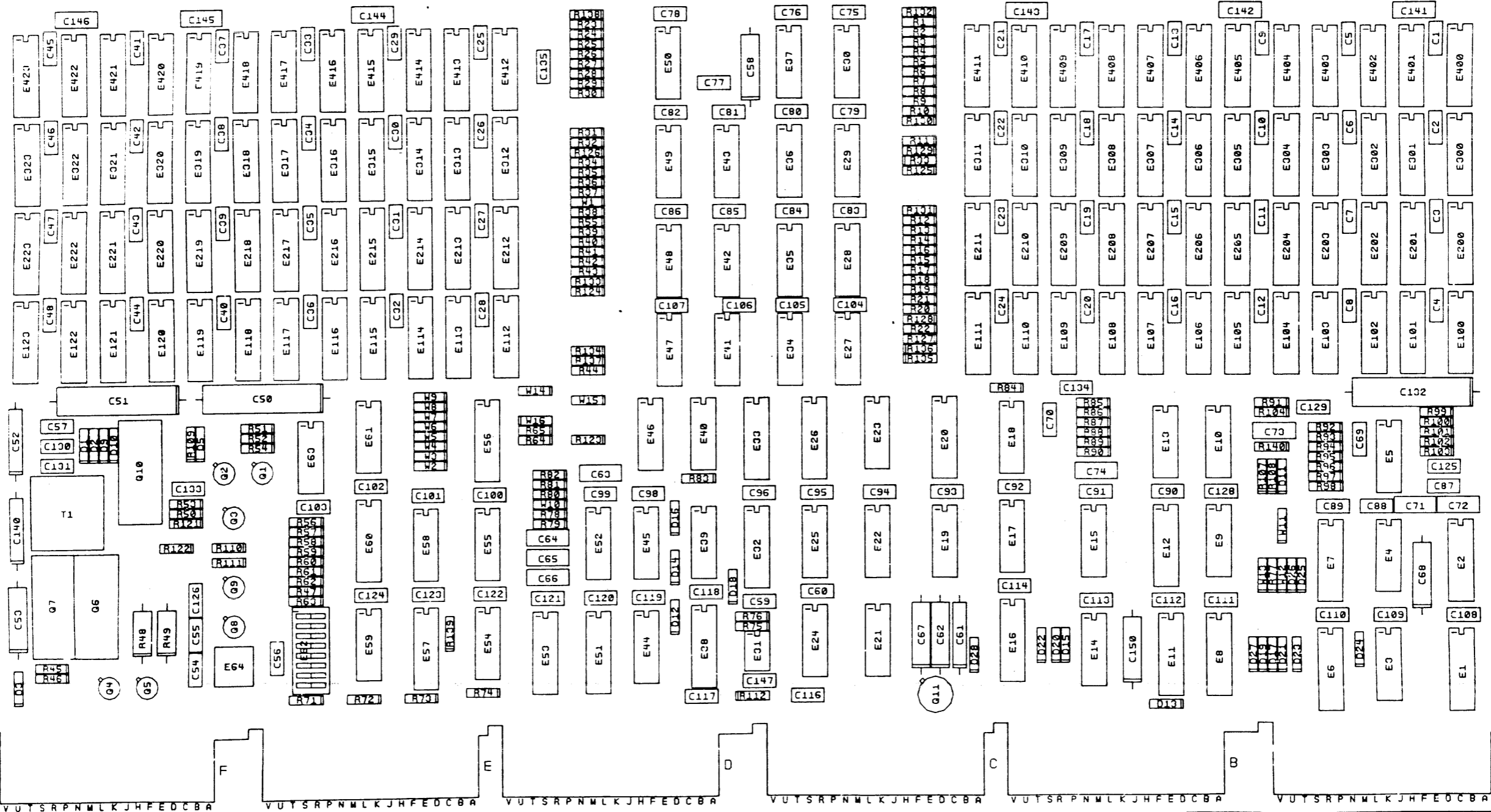
L4



2-2

SCALE	2/1	SHEET	6 OF 8	NAME	PDP8 MOB MEMORY	DIA MB417-0-0	REV	E
-------	-----	-------	--------	------	--------------------	---------------	-----	---

THIS DRAWING AND SPECIFICATIONS, HEREIN, ARE THE PROPERTY OF DIGITAL EQUIPMENT CORPORATION AND SHALL NOT BE REPRODUCED OR COPIED IN WHOLE OR IN PART WITHOUT THE WRITTEN PERMISSION OF DIGITAL EQUIPMENT CORPORATION.



NOTES:

CH	CHANGE NO	REV

DWG - REF ONLY

SIGNATURES		DATE	
DR: <i>Sullivan</i>		5-8-77	
CHK'D: <i>A. Brown</i>		5-19-77	
ENG: <i>[Signature]</i>		7/8/77	
PRD: <i>[Signature]</i>		7-8-77	
SCALE: 2:1			TITLE: GDR R
SHT. 7 OF 8			PROJECT: UA M847-0-0
NEXT HIGH ASSY: B-D-11847-0			CODE:
			NUMBER:
			REV:

THIS DRAWING AND SPECIFICATIONS HEREIN ARE THE PROPERTY OF DIGITAL EQUIPMENT CORPORATION AND SHALL NOT BE REPRODUCED OR COPIED OR USED IN WHOLE OR IN PART AS THE BASIS FOR THE MANUFACTURE OR SALE OF ITEMS WITHOUT WRITTEN PERMISSION. COPYRIGHT © 1977 DIGITAL EQUIPMENT CORPORATION

REWORK INSTRUCTIONS

ECO #1

ETCH CUTS SIDE 1:

- 1-1 CUT ETCH TO FREE E31-3
- 1-2 CUT ETCH TO FREE E31-3
- WIRE ADDS SIDE 1:
- 1-3 WIRE E31-3 TO E57-15
- 1-4 WIRE E57-14 TO E54-1
- 1-5 WIRE E54-2 TO E24-14
- 1-6 WIRE E24-14 TO E40-3

ECO #2

ETCH CUTS SIDE 1:

- 2-1 CUT ETCH BETWEEN PIN CK1 & FEED THRU.
 - WIRE ADDS SIDE 2:
 - 2-2 WIRE PIN CP2 TO FEEDTHRU ABOVE
- CK2 PER PROCEDURE IN MODULE REWORK SPECIFICATION A-SP-7663265-0-0

ECO #3

ETCH CUTS SIDE 1:

- 3-1 CUT ETCH TO FREE E40-1
- WIRE ADDS SIDE 1:
- 3-2 FROM E40-1 TO E39-13.

REVISIONS		
CHK	CHANGE NO	REV

TITLE	PDP 8 MOS MEMORY	SIZE CODE	DUA	NUMBER	M8417-U-0	REV.	E
SCALE	→	SHEET	2	OF 8	DIST		

LINE ITEM	DOCUMENT NUMBER	PART NUMBER	DESCRIPTION	QTY	REFERENCE DESIGNATOR
1	D-UA-M8417-0-0		UNIT ASSY		REF
2	D-UA-M8417-0-0		UNIT ASSY		REF
3		5012701-00	50-12701 32KX12 MOS MEMORX	1	
4		1000006-00	10.0 MMF 100V 5%200PPM DM15S	1	C66
5		1000016-00	100.0 MMF 100V 5%200PPM DM15S	1	C64
6		1000042-00	1000.0 MMF 100V 5%200PPM DM15S	1	C65
7		1001610-01	.01 MFD 100V -20+80 Z5U DISC	53	C60,C75-C96,C98-C114,C116-C125,C128,C129, CONT C147
8		1005306-00	6.8MFD 35V 10% S.TANT	8	C53,C58,C67,C61,C62,C68,C140,C150
9		1010274-00	.22 MFD 50V -20+80 Z5U CER	60	C1-C48,C57,C69,C70,C133-C135,C141-C146
10		1010279-00	.47 MFD 25V 20% 2C023 CER.	6	C54-C56,C126,C130,C131
11		1012084-01	8 MFD 25V G% 30D AL EL	1	C52
12		1012121-00	220.0 MMF 100V 1%200PPM DM15S	6	C59,C63,C71-C74
13		1012219-00	47. MFD 30V G% 600D AL EL	3	C50,C51,C132
14		1101938-00	1N 4370A VZ= 2.4 5% .40W	1	D3
15		1104860-00	1N 746A VZ= 3.3 5%	1	D5
16		1105275-00	D 672 TR= 15NS PIV= 60V SI	21	D1,D2,D9-D27
17		1109943-00	1N 4733A VZ= 5.1 5% 1W Y	1	D28
18		1211164-04	SW,DIP 1P 1A 8POS	1	E62
19		1210711-02	HANDLE,MODULE,HEX	1	
20		1300250-00	150 1/4W 5% CC	1	R47
21		1300271-00	220 1/4W 5% CC	16	R123-R138
22		1300316-00	470 1/4W 5% CC	2	R46,R51
23		1300365-00	1 K 1/4W 5% CC	9	R45,R50,R53,R54,R82-R84,R103,R104
24		1300447-00	4.7 K 1/4W 5% CC	15	R55-R65,R77,R78-R81,R139
25		1300479-00	10 K 1/4W 5% CC	6	R71-R74,R121,R122
26		1302124-00	18 1/4W 5% CC	46	R1-R44,R90,R98
27		1302377-00	39 1/4W 5% CC	5	R52,R109-R112
28		1302859-00	5.76 K 1/4W 1% RN55D-F 100PPM	1	R96
29		1302071-00	1.21 K 1/4W 1% RN55D-F 100PPM	2	R80,R108

REVISION HISTORY			SECTION 1 OF 8		RESP.ENG.: J.STEGEMAN	DATE: 30-MAY-78	DIGITAL				
ENG	ECO NUMBER	REV	SECTION. VARIATION INDEX		MADE BY: L. METZGER	DATE: 30-MAY-78	TITLE PARTS LIST				
E.R.	00003	D	1.AB				PDP8 MOS MEMORY				
J.S.	M8417-ML004	E	2.AD								
			3.AC		CHECKED: P.ROSSMAN	DATE: 30-MAY-78					
			4.AE								
			5.BB		DSN.ENG.: J.STEGEMAN	DATE: 30-MAY-78					
			6.BC				SIZE	CODE	DOCUMENT NUMBER	REV	
			7.BD				K	PL	M8417-0-DBP	E	
			8.BE		PROD.: C.TANNER	DATE: 30-MAY-78					
			9.								
			10.								
			11.		ASSEMBLY NUMBER: D-UA-M8417-0-0		PART NUMBER: M8417-AB				
			12.				EDIT # 11				

"THIS DRAWING AND SPECIFICATIONS HEREIN, ARE THE PROPERTY OF DIGITAL EQUIPMENT CORPORATION AND SHALL NOT BE REPRODUCED OR COPIED OR USED IN WHOLE OR IN PART AS THE BASIS FOR THE MANUFACTURE OR SALE OF ITEMS WITHOUT WRITTEN PERMISSION. COPYRIGHT 1979. DIGITAL EQUIPMENT CORPORATION"

LINE	ITEM	DOCUMENT NUMBER	PART NUMBER	DESCRIPTION	QTY	REFERENCE DESIGNATOR
30	30		1302872-00	681 1/4W 1% RN55D-F 100PPM	1	R89
31	31		1302956-00	196 1/4W 1% RN55D-F 100PPM	1	R94
32	32		1302957-00	121 1/4W 1% RN55D-F 100PPM	1	R101
33	33		1303045-00	3.16 K 1/4W 1% RN55D-F 100PPM	1	R76
34	34		1303067-00	422 1/4W 1% RN55D-F 100PPM	1	R99
35	35		1303110-00	19.6 1/4W 1% RN55D-F 100PPM	1	R93
36	36		1303226-00	68.1 1/4W 1% RN55D-F 100PPM	1	R86
37	37		1303311-00	46.4 K 1/4W 1% RN55D-F 100PPM	1	R75
38	38		1303313-00	12.1 K 1/4W 1% RN55D-F 100PPM	1	R97
39	39		1304725-00	300 1/4W 1% RN55D-F 100PPM	1	R107
40	40	SEE NOTE 90	1304833-00	1.96 K 1/4W 1% RN55D-F 100PPM	1	R92
41	41		1305122-00	51.1 1/4W 1% RN55D-F 100PPM	1	R85
42	42		1305123-00	215 1/4W 1% RN55D-F 100PPM	2	R91,R102
43	43		1305143-00	825 1/4W 1% RN55D-F 100PPM	2	R95,R79
44	44	SEE NOTE 90	1305253-00	7.15 K 1/4W 1% RN55D-F 100PPM	1	R87
45	45		1309405-00	68 1/2W 5% CC	2	R48,R49
46	46		1503100-00	DEC3009B NPN 200MW SI 20 25	7	Q1-Q5,Q8,Q9
47	47		1510171-00	D 44C3 NPN 30WT SI 30 20 Y	2	Q6,Q7
48	48		1614234-00	XFMR, CONVERTER, RATIO 1:3 300UH	1	T1
49	49		1909054-00	7493 COUNTER, ASYNCH UP, BI	2	E21,E24
50	50		1909705-00	DEC 8881 NAND GATE-QUAD 2IN 0	4	E7,E14,E17,E44
51	51		1910268-01	DEC 75107B-01 RECEIVER, LINE, DUA	3	E5,E10,E18
52	52		1910406-00	75451 DRIVER, PERIPH, DUAL,	1	E64
53	53		1910532-00	74S00 NAND GATE-QUAD 2IN 0	6	E4,E34,E37,E42,E43,E55
54	54		1910533-00	74S03 NAND GATE-QUAD 2IN, 0	1	E13
55	55		1910534-00	74S04 INVERTER GATE-HEX 1I	2	E22,E54
56	56		1910536-00	74S10 NAND GATE-TRIPLE 3IN	3	E19,E61,E63
57	57		1910539-00	74S20 NAND GATE-DUAL 4INPU	1	E59
58	58		1910542-00	74S64 A-0-I GATE 4-2-3-2	1	E15
59	59		1910544-01	74S74-60GG-D DUAL, EDGE TRIG	1	E39
60	60		1910545-00	74S112 FF-JK DUAL, EDGE TRIG	3	E7,E20,E32
61	61		1910549-00	74S158 MUX 1 OF 2 (QUAD)	2	E26,E33
62	62		1911116-00	DEC 8837 RECEIVER, BUS, HEX, UN	5	E6,E8,E16,E38,E57
63	63		1911469-00	DEC 8640 RECEIVER, BUS, QUAD, U	1	E45
64	64		1911579-00	8641 TRANSCEIVER, BUS, QUA	3	E1,E11,E51
65	65		1911676-00	74S139 DECODER-DUAL TWO-INP	1	E56
66	66		1911712-00	74S51 AND-OR GATE-INVERT D	1	E58
67	67		1911944-00	555CN TIMER, FUNCT. BLOCK	1	E31
68	68		1911983-00	74S133 NAND GATE-POSITIVE 1	1	E60
69	69	SEE NOTE 92	1912048-02	DEC 7812-02 VOLT REG, FIXED +12	1	Q10
70	70		1912388-00	74S02 NOR GATE-QUAD 2IN, PO	3	E9,E25,E46
71	71		1912389-00	74S08 AND GATE-QUAD 2IN, PO	1	E23
72	72		1912541-00	VOLT. REG. FIX	1	Q11
73	73		1912649-00	LS75 LATCH 4BIT, BISTABLE	3	E2,E12,E53
74	74		1912746-00	DEC 74S37 NAND GATE-QUAD 2IN	11	E27-E30,E35,E36,E41,E47-E50
75	75		1912803-00	LS04 INVERTER GATE-HEX 1I	1	E52
76	76		1912824-00	LS74 FF-D DUAL, EDGE TRIGG	1	E40
77	77		2113735-01	4K MOS RAM 200NS 1	48	E100,E102,E104,E106,E108,E110,E112,E114,

D	I	G	I	T	A	L	TITLE	SECTION	1	OF	8	SIZE	CODE	DOCUMENT NUMBER	REV
							PDP8 MOS MEMORY							M8417-0-DBP	E

LINE	ITEM	DOCUMENT NUMBER	PART NUMBER	DESCRIPTION	QTY	REFERENCE DESIGNATOR
					CONT	E116,E118,E120,E122,E200,E202,E204,E206,
					CONT	E208,E210,E212,E214,E216,E218,E220,E222,
					CONT	E300,E302,E304,E306,E308,E310,E312,E314,
					CONT	E316,E318,E320,E322,E400,E402,E404,E406,
					CONT	E408,E410,E412,E414,E416,E418,E420,E422
78	78		2114114-01	*** THIS ITEM IS NOT USED ***	-	
79	79		2113914-01	*** THIS ITEM IS NOT USED ***	-	
80	80	SEE NOTE 91	2114475-01	*** THIS ITEM IS NOT USED ***	-	
81	81		9000024-01	EYELET, ROLLED FLANGE, .121 OD X	12	
82	82	USE WITH Q6,Q7,Q10	9006557-00	NUT,KEP , 4-40X 1/4 AF	3	
83	83	USE WITH Q11	9007254-00	TRANSIPADS #10146	1	
84	84	USE WITH Q6,Q7,Q10	9008301-01	SCREW,PAN ,PHIL, 4-40X 1/4	3	
85	85		9009185-00	JUMPER, WIRE, INSULATED, BLACK B	6	W2,W3,W4,W9,W10,W11
86	86		9105740-55	WIRE(WRAP)30AWG UL1423	A/R	

- 87 NOTE: M8417-AA=M8417-AB,AC,AD,AE(16KX12)
- 88 NOTE: M8417-PA=M8417-BB,BC,BD,BE(32KX12)
- 89 NOTE: USED ON:OPTION/MODEL MS8-CA,MS8-CB
- 90 NOTE: R87,R92 MAY BE REMOVED AT MODULE TEST IF NEEDED.
- 91 NOTE: MIXING OF MOS PANS IS NOT PERMITTED.
- 92 NOTE: REF ITEM #69 19-12048-05 ACCEPTABLE SUBSTITUTE FOR 19-12048-02.
- 93 NOTE: -----

D	I	G	I	T	A	I	TITLE	SECTION	1	OF	8	SIZE	CODE	DOCUMENT NUMBER	REV
							PDP8 NOS MEMORY					K	PL	M8417-0-DUP	E

LINE ITEM	DOCUMENT NUMBER	PART NUMBER	DESCRIPTION	QTY	REFERENCE DESIGNATOR
1	D-UA-M8417-0-0		UNIT ASSY		REF
2	D-UA-M8417-0-0		*** THIS ITEM IS NOT USED ***		-
3		5012701-00	50-12701 32KX12 MOS MEMORX	1	
4		1000006-00	10.0 MMF 100V 5%200PPM DM15S	1	C66
5		1000016-00	100.0 MMF 100V 5%200PPM DM15S	1	C64
6		1000042-00	1000.0 MMF 100V 5%200PPM DM15S	1	C65
7		1001610-01	.01 MFD 100V -20+80 Z5U DISC	53	C60,C75-C96,C98-C114,C116-C125,C128,C129,CONT C147
8		1005306-00	0.8MFD 35V 10% S.TANT	8	C53,C58,C67,C61,C62,C68,C140,C150
9		1010274-00	.22 MFD 50V -20+80 Z5U CER	60	C1-C48,C57,C69,C70,C133-C135,C141-C146
10		1010279-00	.47 MFD 25V 20% 2C023 CER.	6	C54-C56,C126,C130,C131
11		1012084-01	8 MFD 25V G% 30D AL EL	1	C52
12		1012121-00	220.0 MMF 100V 1%200PPM DM15S	6	C59,C63,C71-C74
13		1012219-00	47. MFD 30V G% 60D AL EL	3	C50,C51,C132
14		1101938-00	1N 4370A VZ= 2.4 5% .40W	1	D3
15		1104860-00	1N 746A VZ= 3.3 5%	1	D5
16		1105275-00	D 672 TR= 15NS PIV= 60V SI	21	D1,D2,D9-D27
17		1109943-00	1N 4733A VZ= 5.1 5% 1W Y	1	D28
18		1211164-04	SW,DIP 1P 1A 8POS	1	E62
19		1210711-02	HANDLE,MODULE,HEX	1	
20		1300250-00	150 1/4W 5% CC	1	R47
21		1300271-00	220 1/4W 5% CC	16	R123-R138
22		1300316-00	470 1/4W 5% CC	2	R46,R51
23		1300365-00	1 K 1/4W 5% CC	9	R45,R50,R53,R54,R82-R84,R103,R104
24		1300447-00	4.7 K 1/4W 5% CC	15	R55-R65,R77,R78,R81,R139
25		1300479-00	10 K 1/4W 5% CC	6	R71-R74,R121,R122
26		1302124-00	18 1/4W 5% CC	46	R1-R44,R90,R98
27		1302377-00	39 1/4W 5% CC	5	R52,R109-R112
28		1302859-00	5.76 K 1/4W 1% RN55D-F 100PPM	1	R96
29		1302871-00	1.21 K 1/4W 1% RN55D-F 100PPM	2	R80,R108

REVISION HISTORY			SECTION 2 OF 8	RESP.ENG.: J. STEGEMAN	DATE: 30-MAY-78	D I G I T A L				
ENG	ECO NUMBER	REV	SECTION VARIATION INDEX	MADE BY: L. METZGER	DATE: 30-MAY-78	TITLE PARTS LIST				
E.R.	00003	D				PDP8 MOS MEMORY				
J.S.	M8417-ML004	E	1.AB	CHECKED: P. BOSSMAN	DATE: 30-MAY-78					
			2.AD	DSN.ENG.: J. STEGEMAN	DATE: 30-MAY-78	SIZE	CODE	DOCUMENT NUMBER	REV	
			3.AC	PROD.: C. TANNER	DATE: 30-MAY-78	K	PL	M8417-0-DBP	E	
			4.AE						EDIT #	
			5.BB	ASSEMBLY NUMBER: D-UA-M8417-0-0				PART NUMBER: M8417-AD	11	
			6.BC							
			7.BD							
			8.BE							
			9.							
			10.							
			11.							
			12.							

"THIS DRAWING AND SPECIFICATIONS HEREIN, ARE THE PROPERTY OF DIGITAL EQUIPMENT CORPORATION AND SHALL NOT BE REPRODUCED OR COPIED OR USED IN WHOLE OR IN PART AS THE BASIS FOR THE MANUFACTURE OR SALE OF ITEMS WITHOUT WRITTEN PERMISSION. COPYRIGHT 1979. DIGITAL EQUIPMENT CORPORATION"

LINE	ITFM	DOCUMENT NUMBER	PART NUMBER	DESCRIPTION	QTY	REFERENCE DESIGNATOR
30	30		1302872-00	681 1/4W 1% RN55D-F 100PPM	1	R89
31	31		1302956-00	196 1/4W 1% RN55D-F 100PPM	1	R94
32	32		1302957-00	121 1/4W 1% RN55D-F 100PPM	1	R101
33	33		1303045-00	3.16 K 1/4W 1% RN55D-F 100PPM	1	R76
34	34		1303067-00	422 1/4W 1% RN55D-F 100PPM	1	R99
35	35		1303110-00	19.6 1/4W 1% RN55D-F 100PPM	1	R93
36	36		1303226-00	68.1 1/4W 1% RN55D-F 100PPM	1	R86
37	37		1303311-00	46.4 K 1/4W 1% RN55D-F 100PPM	1	R75
38	38		1303313-00	12.1 K 1/4W 1% RN55D-F 100PPM	1	R97
39	39		1304725-00	300 1/4W 1% RN55D-F 100PPM	1	R107
40	40	SEE NOTE 90	1304833-00	1.96 K 1/4W 1% RN55D-F 100PPM	1	R92
41	41		1305122-00	51.1 1/4W 1% RN55D-F 100PPM	1	R85
42	42		1305123-00	215 1/4W 1% RN55D-F 100PPM	2	R91,R102
43	43		1305143-00	825 1/4W 1% RN55D-F 100PPM	2	R95,R79
44	44	SEE NOTE 90	1305253-00	7.15 K 1/4W 1% RN55D-F 100PPM	1	R87
45	45		1309405-00	68 1/2W 5% CC	2	R48,R49
46	46		1503100-00	DEC3009B NPN 200MW SI 20 25	7	Q1-Q5,Q8,Q9
47	47		1510171-00	D 44C3 NPN 30WT SI 30 20 Y	2	Q6,Q7
48	48		1614234-00	XFMR, CONVERTER, RATIO 1:3 300UH	1	T1
49	49		1909054-00	7493 COUNTER, ASYNCH UP, BI	2	E21,E24
50	50		1909705-00	DEC 8881 NAND GATE-QUAD 2IN 0	4	E3,E14,E17,E44
51	51		1910268-01	DEC 75107B-01 RECEIVER, LINE, DUA	3	E5,E10,E18
52	52		1910406-00	75451 DRIVER, PERIPH, DUAL,	1	E64
53	53		1910532-00	74S00 NAND GATE-QUAD 2INS	6	E4,E34,E37,E42,E43,E55
54	54		1910533-00	74S03 NAND GATE-QUAD 2IN, 0	1	E13
55	55		1910534-00	74S04 INVERTER GATE-HEX 11	2	E22,E54
56	56		1910536-00	74S10 NAND GATE-TRIPLE 3IN	3	E19,E61,E63
57	57		1910539-00	74S20 NAND GATE-DUAL 4INPU	1	E59
58	58		1910542-00	74S64 A-0-I GATE 4-2-3-2	1	E15
59	59		1910544-01	74S74-60GG-D DUAL, EDGE TRIG	1	E39
60	60		1910545-00	74S112 FF-JK DUAL, EDGE TRIG	3	E7,E20,E32
61	61		1910549-00	74S158 MUX 1 OF 2 (QUAD)	2	E26,E33
62	62		1911116-00	DEC 8837 RECEIVER, BUS, HEX, UN	5	E6,E8,E16,E38,E57
63	63		1911469-00	DEC 8640 RECEIVER, BUS, QUAD, U	1	E45
64	64		1911579-00	8641 TRANSCEIVER, BUS, QUA	3	E1,F11,E51
65	65		1911676-00	74S139 DECODER-DUAL TWO-INP	1	E56
66	66		1911712-00	74S51 AND-OR GATE-INVERT D	1	E58
67	67		1911944-00	555CN TIMER, FUNCT. BLOCK	1	E31
68	68		1911983-00	74S133 NAND GATE-POSITIVE 1	1	E60
69	69	SEE NOTE 92	1912048-02	DEC 7812-02 VOLT REG, FIXED +12	1	Q10
70	70		1912388-00	74S02 NOR GATE-QUAD 2IN, PO	3	E9,E25,E46
71	71		1912389-00	74S08 AND GATE-QUAD 2IN, PO	1	E23
72	72		1912541-00	VOLT, REG, FIX -	1	Q11
73	73		1912649-00	LS75 LATCH 4BIT, BISTABLE	3	E2,F12,E53
74	74		1912746-00	DEC 74S37 NAND GATE-QUAD 2IN	11	E27-E30,E35,E36,E41,E47-E50
75	75		1912803-00	LS04 INVERTER GATE-HEX 11	1	E52
76	76		1912824-00	LS74 FF-D DUAL, EDGE TRIGG	1	E40
77	77		2113735-01	*** THIS ITEM IS NOT USED ***	-	

D	I	G	I	T	A	L	TITLE	SECTION	2	OF	8	SIZE	CODE	DOCUMENT NUMBER	REV
							PDPR MOS MEMORY							M8417-0-DRP	F

LINE	ITEM	DOCUMENT NUMBER	PART NUMBER	DESCRIPTION	QTY	REFERENCE DESIGNATOR
78	78		2114114-01	*** THIS ITEM IS NOT USED ***	-	
79	79		2113914-01	4K MOS RAM 200NS 1	48	E100,E102,E104,E106,E108,E110,E112,F114, CONT E116,E118,E200,E120,E122,E202,E204,E206, CONT E208,E210,E212,E214,E216,E218,E220,E222, CONT E300,E302,E304,E306,E308,E310,E312,E314, CONT E316,E318,E320,E322,E400,E402,E404,E406, CONT E408,E410,E412,E414,E416,E418,E420,E422
80	80	SEE NOTE 91	2114475-01	*** THIS ITEM IS NOT USED. ***	-	
81	81		9000024-01	EYELET, ROLLED FLANGE, .121 OD X	12	
82	82	USE WITH 06,07,010	9006557-00	NUT,KEP , 4-40X 1/4 AF	3	
83	83	USE WITH 011	9007254-00	TRANSIPADS #10146	1	
84	84	USE WITH 06,07,010	9008301-01	SCREW,PAN ,PHIL, 4-40X 1/4	3	
85	85		9009185-00	JUMPER, WIRE, INSULATED, BLACK B	6	W2,W3,W4,W9,W10,W11
86	86		9105740-55	WIRE(WRAP)30AWG UL1423	A/R	

- 87 NOTE: M8417-AA=M8417-AB,AC,AD,AE(16KX12)
- 88 NOTE: M8417-BA=M8417-BB,BC,BD,BE(32KX12)
- 89 NOTE: USED ON:OPTION/MODEL MS8-CA,MS8-CB
- 90 NOTE: R87,R92 MAY BE REMOVED AT MODULE TEST IF NEEDED.
- 91 NOTE: MIXING OF MOS RAMS IS NOT PERMITTED.
- 92 NOTE: REF ITEM #69 19-12048-05 ACCEPTABLE SUBSTITUTE FOR 19-12048-02.
- 93 NOTE: -----

D	I	G	I	T	A	L	TITLE	SECTION	2 OF 8	SIZE	CODE	DOCUMENT NUMBER	REV
							FDP8 MOS MEMORY			K	PL	MR417-0-DBP	E

LINE ITEM	DOCUMENT NUMBER	PART NUMBER	DESCRIPTION	QTY	REFERENCE DESIGNATOR
1	D-UA-M8417-0-0		UNIT ASSY		REF
2	D-UA-M8417-0-0		*** THIS ITEM IS NOT USED ***		-
3		5012701-00	50-12701 32KX12 MOS MEMORX	1	
4		10000006-00	10.0 MMF 100V 5%200PPM DM15S	1	C66
5		1000016-00	100.0 MMF 100V 5%200PPM DM15S	1	C64
6		1000042-00	1000.0 MMF 100V 5%200PPM DM15S	1	C65
7		1001610-01	.01 MFD 100V -20+80 Z5U DISC	53	C60,C75-C96,C98-C114,C116-C125,C128,C129, CONT C147
8		1005306-00	0.8MFD 35V 10% S.TANT	8	C53,C50,C67,C61,C62,C68,C140,C150
9		1010274-00	.22 MFD 50V -20+80 Z5U CER	60	C1-C48,C57,C69,C70,C133-C135,C141-C146
10		1010279-00	.47 MFD 25V 20% 2C023 CER.	6	C54-C56,C126,C130,C131
11		1012084-01	8 MFD 25V G% 30D AL EL	1	C52
12		1012121-00	220.0 MMF 100V 1%200PPM DM15S	6	C59,C63,C71-C74
13		1012219-00	47. MFD 30V G% 600D AL EL	3	C50,C51,C132
14		1101938-00	1N 4370A VZ= 2.4 5% .40W	1	D3
15		1104860-00	1N 746A VZ= 3.3 5%	1	D5
16		1105275-00	D 672 TR= 15NS PIV= 60V SI	21	D1,D2,D9-D27
17		1109943-00	1N 4733A VZ= 5.1 5% 1W Y	1	D28
18		1211164-04	SW,DIP 1P 1A 6POS	1	E62
19		1210711-02	HANDLE,MODULE,HEX	1	
20		1300250-00	150 1/4W 5% CC	1	R47
21		1300271-00	220 1/4W 5% CC	16	R123-R138
22		1300316-00	470 1/4W 5% CC	2	R46,R51
23		1300365-00	1 K 1/4W 5% CC	9	R45,R50,R53,R54,R82-R84,R103,R104
24		1300447-00	4.7 K 1/4W 5% CC	15	R55-R65,R77,R78,R81,R139
25		1300479-00	10 K 1/4W 5% CC	6	R71-R74,R121,R122
26		1302124-00	18 1/4W 5% CC	46	R1-R44,R90,R98
27		1302377-00	39 1/4W 5% CC	5	R52,R109-R112
28		1302859-00	5.76 K 1/4W 1% RN55D-F 100PPM	1	R96
29		1302471-00	1.21 K 1/4W 1% RN55D-F 100PPM	2	R80,R108

REVISION HISTORY		SECTION 3 OF 8	RESP.ENG.: J. STEGEMAN	DATE: 30-MAY-78	D I G I T A L
ENG:	ECO NUMBER	RFV	MADE BY: L. METZGER	DATE: 30-MAY-78	TITLE
		SECTION VARIATION INDEX	CHECKED: P. ROSSMAN	DATE: 30-MAY-78	PARTS LIST
			DSN.ENG.: J. STEGEMAN	DATE: 30-MAY-78	PDF8 MOS MEMORY
			PPOD.: C. TANNER	DATE: 30-MAY-78	SIZE: CODE: DOCUMENT NUMBER: REV
			ASSEMBLY NUMBER: D-UA-M8417-0-0		K PL M8417-0-DBP F
					EDIT #
					11

"THIS DRAWING AND SPECIFICATIONS HEREIN, ARE THE PROPERTY OF DIGITAL EQUIPMENT CORPORATION AND SHALL NOT BE REPRODUCED OR COPIED OR USED IN WHOLE OR IN PART AS THE BASIS FOR THE MANUFACTURE OR SALE OF ITEMS WITHOUT WRITTEN PERMISSION. COPYRIGHT 1979. DIGITAL EQUIPMENT CORPORATION"

LINE	ITEM	DOCUMENT NUMBER	PART NUMBER	DESCRIPTION	QTY	REFERENCE DESIGNATOR
30	30		1302872-00	681 1/4W 1% RN55D-F 100PPM	1	R89
31	31		1302956-00	196 1/4W 1% RN55D-F 100PPM	1	R94
32	32		1302957-00	121 1/4W 1% RN55D-F 100PPM	1	R101
33	33		1303045-00	3.16 K 1/4W 1% RN55D-F 100PPM	1	R76
34	34		1303067-00	422 1/4W 1% RN55D-F 100PPM	1	R99
35	35		1303110-00	19.6 1/4W 1% RN55D-F 100PPM	1	R93
36	36		1303226-00	68.1 1/4W 1% RN55D-F 100PPM	1	R86
37	37		1303311-00	46.4 K 1/4W 1% RN55D-F 100PPM	1	R75
38	38		1303313-00	12.1 K 1/4W 1% RN55D-F 100PPM	1	R97
39	39		1304725-00	300 1/4W 1% RN55D-F 100PPM	1	R107
40	40	SEE NOTE 90	1304833-00	1.96 K 1/4W 1% RN55D-F 100PPM	1	R92
41	41		1305122-00	51.1 1/4W 1% RN55D-F 100PPM	1	R85
42	42		1305123-00	215 1/4W 1% RN55D-F 100PPM	2	R91,R102
43	43		1305143-00	825 1/4W 1% RN55D-F 100PPM	2	R95,R79
44	44	SEE NOTE 90	1305253-00	7.15 K 1/4W 1% RN55D-F 100PPM	1	R87
45	45		1309405-00	68 1/2W 5% CC	2	R48,R49
46	46		1503100-00	DEC3009B NPN 200MW SI 20 25	7	Q1-05,Q8,Q9
47	47		1510171-00	D 44C3 NPN 30WT SI 30 20 Y	2	Q6,Q7
48	48		1614234-00	XFMR, CONVERTER, RATIO 1:3 300UH	1	T1
49	49		1909054-00	7493 COUNTER, ASYNCH UP, BI	2	E21,E24
50	50		1909705-00	DEC 8881 NAND GATE-QUAD 2IN 0	4	E3,E14,E17,E44
51	51		1910268-01	DEC 75107B-01 RECEIVER, LINE, DUA	3	E5,E10,E18
52	52		1910406-00	75451 DRIVER, PERIPH, DUAL,	1	E64
53	53		1910532-00	74S00 NAND GATE-QUAD 2INS	6	E4,E34,E37,E42,E43,E55
54	54		1910533-00	74S03 NAND GATE-QUAD 2IN,0	1	E13
55	55		1910534-00	74S04 INVERTER GATE-HEX 1I	2	E22,E54
56	56		1910536-00	74S10 NAND GATE-TRIPLE 3IN	3	E19,E61,E63
57	57		1910539-00	74S20 NAND GATE-DUAL 4INPU	1	E59
58	58		1910542-00	74S64 A-0-I GATE 4-2-3-2	1	E15
59	59		1910544-01	74S74-60GG-D DUAL, EDGE TRIG	1	E39
60	60		1910545-00	74S112 FF-JK DUAL, EDGE TRIG	3	E7,E20,E32
61	61		1910549-00	74S158 MUX 1 OF 2 (QUAD)	2	E26,E33
62	62		1911116-00	DEC 8837 RECEIVER, BUS, HEX, UN	5	E6,E8,E16,E38,E57
63	63		1911469-00	DEC 8640 RECEIVER, BUS, QUAD, U	1	E45
64	64		1911579-00	8641 TRANSCEIVER, BUS, QUA	3	E1,E11,E51
65	65		1911676-00	74S139 DECODER-DUAL TWO-INP	1	E56
66	66		1911712-00	74S51 AND-OR GATE-INVERT D	1	E58
67	67		1911944-00	555CN TIMER, FUNCT. BLOCK	1	E31
68	68		1911983-00	74S133 NAND GATE-POSITIVE 1	1	E60
69	69	SEE NOTE 92	1912048-02	DEC 7812-02 VOLT REG, FIXED +12	1	Q10
70	70		1912388-00	74S02 NOR GATE-QUAD 2IN,PO	3	E9,E25,E46
71	71		1912389-00	74S08 AND GATE-QUAD 2IN,PO	1	E23
72	72		1912541-00	VOLT, REG, FIX -	1	Q11
73	73		1912649-00	LS75 LATCH 4BIT, BISTABLE	3	E2,E12,E53
74	74		1912746-00	DEC 74S37 NAND GATE-QUAD 2IN	11	E27-E30,E35,E36,E41,E47-E50
75	75		1912803-00	LS04 INVERTER GATE-HEX 1I	1	E52
76	76		1912824-00	LS74 FF-D DUAL, EDGE TRIGG	1	E40
77	77		2113735-01	*** THIS ITEM IS NOT USED ***	-	

D	I	G	I	T	A	L	TITLE	SECTION	3 OF	8	SIZE	CODE	DOCUMENT NUMBER	REV
							PDP8 MOS MEMORY						K PL NB417-0-DBP	E

LINE	ITEM	DOCUMENT NUMBER	PART NUMBER	DESCRIPTION	QTY	REFERENCE DESIGNATOR
78	78		2114114-01	4K MOS RAM 200NS 1	48	E100,E102,E104,E106,E108,E110,E112,E114, CONT E116,E118,E120,E122,E200,E202,E204,E206, CONT E208,E210,E212,E214,E216,E218,E220,E222, CONT E300,E302,E304,E306,E308,E310,E312,E314, CONT E316,E318,E320,E322,E400,E402,E404,E406, CONT E408,E410,E412,E414,E416,E418,E420,E422
79	79		2113914-01	*** THIS ITEM IS NOT USED ***	-	
80	80	SEE NOTE 91	2114475-01	*** THIS ITEM IS NOT USED ***	-	
81	81		9000024-01	EYELET, ROLLED FLANGE, .121 OD X	12	
82	82	USE WITH Q6,Q7,Q10	9006557-00	NUT,KEP , 4-40X 1/4 AF	3	
83	83	USE WITH Q11	9007254-00	TRANSIPADS #10146	1	
84	84	USE WITH Q6,Q7,Q10	9008301-01	SCREW,PAN ,PHIL, 4-40X 1/4	3	
85	85		9009185-00	JUMPER, WIRE, INSULATED, BLACK B	6	W2,W3,W4,W9,W10,W11
86	86		9105740-55	WIRE(WRAP)30AWG UL1423	A/R	

- 87 NOTE: M8417-AA=M8417-AB,AC,AD,AE(16KX12)
- 88 NOTE: M8417-BA=M8417-BB,BC,BD,BE(32KX12)
- 89 NOTE: USED ON:OPTION/MODEL MS8-CA,MS8-CB
- 90 NOTE: R87,R92 MAY BE REMOVED AT MODULE TEST IF NEEDED.
- 91 NOTE: MIXING OF MOS RAMS IS NOT PERMITTED.
- 92 NOTE: REF ITEM #69 19-12048-05 ACCEPTABLE SUBSTITUTE FOR 19-12048-02.
- 93 NOTE: -----

D	I	G	I	T	A	L	TITLE	SECTION 3 OF 8	SIZE	CODE	DOCUMENT NUMBER	REV
							PUP8 MOS MEMORY				M8417-0-DBP	E
									K	PL		

LINE ITEM	DOCUMENT NUMBER	PART NUMBER	DESCRIPTION	QTY	REFERENCE DESIGNATOR
1	D-UA-M8417-0-0		UNIT ASSY		REF
2	D-UA-M8417-0-0		*** THIS ITEM IS NOT USED ***		-
3		5012701-00	50-12701 32KX12 MOS MEMORX	1	
4		1000006-00	10.0 MMF 100V 5%200PPM DM15S	1	C66
5		1000016-00	100.0 MMF 100V 5%200PPM DM15S	1	C64
6		1000042-00	1000.0 MMF 100V 5%200PPM DM15S	1	C65
7		1001610-01	.01 MFD 100V -20+80 Z5U DISC	53	C60,C75-C96,C98-C114,C116-C125,C128,C129, CONT C147
8		1005306-00	. 6.8MFD 35V 10% S.TANT	8	C53,C58,C67,C61,C62,C68,C140,C150
9		1010274-00	.22 MFD 50V -20+80 Z5U CER	60	C1-C48,C57,C69,C70,C133-C135,C141-C146
10		1010279-00	.47 MFD 25V 20% 2C023 CER.	6	C54-C56,C126,C130,C131
11		1012084-01	8 MFD 25V G% 30D AL EL	1	C52
12		1012121-00	220.0 MMF 100V 1%200PPM DM15S	6	C59,C63,C71-C74
13		1012219-00	47. MFD 30V G% 600D AL EL	3	C50,C51,C132
14		1101938-00	1N 4370A VZ= 2.4 5% .40W	1	D3
15		1104860-00	1N 746A VZ= 3.3 5%	1	D5
16		1105275-00	D 672 TR= 15NS PIV= 60V SI	21	D1,D2,D9-D27
17		1109943-00	1N 4733A VZ= 5.1 5% 1W Y	1	D28
18		1211164-04	SW,DTP 1P 1A 8POS	1	E62
19		1210711-02	HANDLE,MODULE,HEX	1	
20		1300250-00	150 1/4W 5% CC	1	R47
21		1300271-00	220 1/4W 5% CC	16	R123-R138
22		1300316-00	470 1/4W 5% CC	2	R46,R51
23		1300365-00	1 K 1/4W 5% CC	9	R45,R50,R53,R54,R82-R84,R103,R104
24		1300447-00	4.7 K 1/4W 5% CC	15	R55-R65,R77,R78,R81,R139
25		1300475-00	10 K 1/4W 5% CC	6	R71-R74,R121,R122
26		1302124-00	1R 1/4W 5% CC	46	R1-R44,R90,R98
27		1302377-00	39 1/4W 5% CC	5	R52,R109-R112
28		1302859-00	5.76 K 1/4W 1% RN55D-F 100PPM	1	R96
29		1302871-00	1.21 K 1/4W 1% RN55D-F 100PPM	2	R80,R108

REVISION HISTORY			SECTION 4 OF 8	RESP.ENG.: J. STEGEMAN	DATE: 30-MAY-78	D I G I T A L				
ENG	ECO NUMBER	REV	SECTION. VARIATION INDEX	MADE BY: L. METZGER	DATE: 30-MAY-78	TITLE		PARTS LIST		
E.R.	00003	D				PDP8 MOS MEMORY				
J.S.	M8417-ML004	E	1.AB	CHECKED: P. BOSSMAN	DATE: 30-MAY-78					
			2.AD	DSN.ENG.: J. STEGEMAN	DATE: 30-MAY-78					
			3.AC	PROD.: C. TANNER	DATE: 30-MAY-78	SIZE	CODE	DOCUMENT NUMBER	REV	
			4.AE			K	PL	M8417-0-DBP	E	
			5.RB	ASSEMBLY NUMBER: D-UA-M8417-0-0				PART NUMBER:	M8417-AE	
			6.BC					EDIT #		
			7.BD					11		
			8.BE							
			9.							
			10.							
			11.							
			12.							

"THIS DRAWING AND SPECIFICATIONS HEREIN, ARE THE PROPERTY OF DIGITAL EQUIPMENT CORPORATION AND SHALL NOT BE REPRODUCED OR COPIED OR USED IN WHOLE OR IN PART AS THE BASIS FOR THE MANUFACTURE OR SALE OF ITEMS WITHOUT WRITTEN PERMISSION. COPYRIGHT 1979. DIGITAL EQUIPMENT CORPORATION"

LINE	ITEM	DOCUMENT NUMBER	PART NUMBER	DESCRIPTION	QTY	REFERENCE DESIGNATOR
30	30		1302872-00	681 1/4W 1% RN55D-F 100PPM	1	R89
31	31		1302956-00	196 1/4W 1% RN55D-F 100PPM	1	R94
32	32		1302957-00	121 1/4W 1% RN55D-F 100PPM	1	R101
33	33		1303045-00	3.16 K 1/4W 1% RN55D-F 100PPM	1	R76
34	34		1303067-00	422 1/4W 1% RN55D-F 100PPM	1	R99
35	35		1303110-00	19.6 1/4W 1% RN55D-F 100PPM	1	R93
36	36		1303226-00	68.1 1/4W 1% RN55D-F 100PPM	1	R86
37	37		1303311-00	46.4 K 1/4W 1% RN55D-F 100PPM	1	R75
38	38		1303313-00	12.1 K 1/4W 1% RN55D-F 100PPM	1	R97
39	39		1304725-00	300 1/4W 1% RN55D-F 100PPM	1	R107
40	40	SEE NOTE 90	1304833-00	1.96 K 1/4W 1% RN55D-F 100PPM	1	R92
41	41		1305122-00	51.1 1/4W 1% RN55D-F 100PPM	1	R85
42	42		1305123-00	215 1/4W 1% RN55D-F 100PPM	2	R91,R102
43	43		1305143-00	825 1/4W 1% RN55D-F 100PPM	2	R95,R79
44	44	SEE NOTE 90	1305253-00	7.15 K 1/4W 1% RN55D-F 100PPM	1	R87
45	45		1309405-00	68 1/2W 5% CC	2	R48,R49
46	46		1503100-00	DEC3009B NPN 200MW SI 20 25	7	Q1-Q5,Q8,Q9
47	47		1510171-00	D 44C3 NPN 30WT SI 30 20 Y	2	Q6,Q7
48	48		1614234-00	XFMR, CONVERTER, RATIO 1:3 300UH	1	T1
49	49		1909054-00	7493 COUNTER, ASYNCH UP, BI	2	E21,E24
50	50		1909705-00	DEC 8881 NAND GATE-QUAD 2IN 0	4	E3,E14,E17,E44
51	51		1910268-01	DEC 75107B-01 RECEIVER, LINE, DUA	3	E5,E10,E18
52	52		1910406-00	75451 DRIVER, PERIPH, DUAL,	1	E64
53	53		1910532-00	74S00 NAND GATE-QUAD 2INS	6	E4,E34,E37,E42,E43,E55
54	54		1910533-00	74S03 NAND GATE-QUAD 2IN, 0	1	E13
55	55		1910534-00	74S04 INVERTER GATE-HEX 1I	2	E22,E54
56	56		1910536-00	74S10 NAND GATE-TRIPLE 3IN	3	E19,E61,E63
57	57		1910539-00	74S20 NAND GATE-DUAL 4INPU	1	E59
58	58		1910542-00	74S64 A-0-I GATE 4-2-3-2	1	E15
59	59		1910544-01	74S74-60GG-D DUAL, EDGE TRIG	1	E39
60	60		1910545-00	74S112 FF-JK DUAL, EDGE TRIG	3	E7,E20,E32
61	61		1910549-00	74S158 MUX 1 OF 2 (QUAD)	2	E26,E33
62	62		1911116-00	DEC 8837 RECEIVER, BUS, HEX, UN	5	E6,E8,E16,E38,E57
63	63		1911469-00	DEC 8640 RECEIVER, BUS, QUAD, U	1	E45
64	64		1911579-00	8641 TRANSCEIVER, BUS, QUA	3	E1,E11,E51
65	65		1911676-00	74S139 DECODER-DUAL TWO-INP	1	E56
66	66		1911712-00	74S51 AND-OR GATE-INVERT D	1	E58
67	67		1911944-00	555CN TIMER, FUNCT. BLOCK	1	E31
68	68		1911983-00	74S133 NAND GATE-POSITIVE 1	1	E60
69	69	SEE NOTE 92	1912048-02	DEC 7812-02 VOLT REG, FIXED +12	1	Q10
70	70		1912388-00	74S02 NOR GATE-QUAD 2IN, PO	3	E9,E25,F46
71	71		1912389-00	74S08 AND GATE-QUAD 2IN, PO	1	E23
72	72		1912541-00	VOLT. REG. FIX	1	Q11
73	73		1912649-00	LS75 LATCH 4BIT, BISTABLE	3	E2,E12,E53
74	74		1912746-00	DEC 74S37 NAND GATE-QUAD 2IN	11	E27-E30,E35,E36,E41,E47-E50
75	75		1912803-00	LS04 INVERTER GATE-HEX 1I	1	E52
76	76		1912824-00	LS74 FF-D DUAL, EDGE TRIGG	1	E40
77	77		2113735-01	*** THIS ITEM IS NOT USED ***	-	

D	I	G	I	T	A	L	TITLE	SECTION	4	OF	8	SIZE	CODE	DOCUMENT NUMBER	REV
							PDP8 MOS MEMORY					K	PL	M8417-0-DBP	E

LINE	ITEM	DOCUMENT NUMBER	PART NUMBER	DESCRIPTION	QTY	REFERENCE DESIGNATOR
78	78		2114114-01	*** THIS ITEM IS NOT USED ***	-	
79	79		2113914-01	*** THIS ITEM IS NOT USED ***	-	
80	80	SEE NOTE 91	2114475-01	4K MOS RAM 200NS 1	48	E100,E102,E104,E106,E108,E110,E112,E114, CONT E116,E118,E120,E122,E200,E202,E204,E206, CONT E208,E210,E212,E214,E216,E218,E220,E222, CONT E300,E302,E304,E306,E308,E310,E312,E314, CONT E316,E318,E320,E322,E400,E402,E404,E406, CONT E408,E410,E412,E414,E416,E418,E420,E422
81	81		9000024-01	EYELET, ROLLED FLANGE, .121 OD X	12	
82	82	USE WITH Q6,Q7,Q10	9006557-00	NUT,KEP , 4-40X 1/4 AF	3	
83	83	USE WITH Q11	9007254-00	TRANSIPADS #10146	1	
84	84	USE WITH Q6,Q7,Q10	9008301-01	SCREW,PAN ,PHIL, 4-40X 1/4	3	
85	85		9009185-00	JUMPER, WIRE, INSULATED, BLACK B	5	W2,W3,W4,W9,W11
86	86		9105740-55	WIRE(WRAP)30AWG UL1423	A/R	

- 87 NOTE: M8417-AA=M8417-AB,AC,AD,AE(16KX12)
- 88 NOTE: M8417-BA=M8417-BB,BC,BD,BE(32KX12)
- 89 NOTE: USED ON:OPTION/MODEL MS8-CA,MS8-CB
- 90 NOTE: R87,R92 MAY BE REMOVED AT MODULE TEST IF NEEDED.
- 91 NOTE: MIXING OF MOS RAMS IS NOT PERMITTED.
- 92 NOTE: REF ITEM #69 19-12048-05 ACCEPTABLE SUBSTITUTE FOR 19-12048-02.
- 93 NOTE:

D	I	G	T	I	T	A	L	TITLE	SECTION	4	OF	8	SIZE	CODE	DOCUMENT NUMBER	REV
								PDP8 MOS MEMORY					K	PL	M8417-0-DBP	E

LINE	ITEM	DOCUMENT NUMBER	PART NUMBER	DESCRIPTION	QTY	REFERENCE DESIGNATOR
1	1	D-UA-M8417-0-0		UNIT ASSY		REF
2	2	D-UA-M8417-0-0		*** THIS ITEM IS NOT USED ***		-
3	3		5012701-00	50-12701 32KX12 MOS MEMORX	1	
4	4		1000006-00	10.0 MMF 100V 5%200PPM DM15S	1	C66
5	5		1000016-00	100.0 MMF 100V 5%200PPM DM15S	1	C64
6	6		1000042-00	1000.0 MMF 100V 5%200PPM DM15S	1	C65
7	7		1001610-01	.01 MFD 100V -20+80 Z5U DISC	53	C60,C75-C96,C98-C114,C116-C125,C120,C129,CONT C147
8	8		1005306-00	6.8MFD 35V 10% S.TANT	8	C53,C58,C67,C61,C62,C68,C140,C150
9	9		1010274-00	.22 MFD 50V -20+80 Z5U CFR	60	C1-C48,C57,C69,C70,C133-C135,C141-C146
10	10		1010279-00	.47 MFD 25V 20% 2C023 CER.	6	C54-C56,C126,C130,C131
11	11		1012084-01	8 MFD 25V G% 30D AL FL	1	C52
12	12		1012121-00	220.0 MMF 100V 1%200PPM DM15S	6	C59,C63,C71-C74
13	13		1012219-00	47. MFD 30V G% 600D AL FL	3	C50,C51,C132
14	14		1101938-00	1N 4370A VZ= 2.4 5% .40W	1	D3
15	15		1104860-00	1N 746A VZ= 3.3 5%	1	D5
16	16		1105275-00	D 672 TR= 1.5NS PIV= 60V SI	21	D1,D2,D9-D27
17	17		1109943-00	1N 4733A VZ= 5.1 5% 1W Y	1	D28
18	18		1211164-04	SW,DIP 1P 1A 8POS	1	E62
19	19		1210711-02	HANDLE,MODULE,HEX	1	
20	20		1300250-00	150 1/4W 5% CC	1	R47
21	21		1300271-00	220 1/4W 5% CC	16	R123-R138
22	22		1300316-00	470 1/4W 5% CC	2	R46,R51
23	23		1300365-00	1 K 1/4W 5% CC	9	R45,R50,R53,R54,R82-R84,R103,R104
24	24		1300447-00	4.7 K 1/4W 5% CC	15	R55-R65,R77,R78,R81,R139
25	25		1300479-00	10 K 1/4W 5% CC	6	R71-R74,R121,R122
26	26		1302124-00	18 1/4W 5% CC	46	R1-R44,R90,R98
27	27		1302377-00	39 1/4W 5% CC	5	R52,R109-R112
28	28		1302859-00	5.76 K 1/4W 1% RN55D-F 100PPM	1	R96
29	29		1302871-00	1.21 K 1/4W 1% RN55D-F 100PPM	2	R80,R108

REVISION HISTORY			SECTION 5 OF 8	RESP.ENG.: J. STEGEMAN	DATE: 30-MAY-78	D I G I T A L				
ENG	ECO NUMBER	REV	SECTION, VARIATION INDEX	MADE BY: L. METZGER	DATE: 30-MAY-78	TITLE PARTS LIST				
E.R.	00003	D				PDP8 MOS MEMORY				
J.S.	M8417-ML004	E	1.AH	CHECKED: P. BOSSMAN	DATE: 30-MAY-79					
			2.AD							
			3.AC	DSN.ENG.: J. STEGEMAN	DATE: 30-MAY-78					
			4.AE							
			5.BB							
			6.BC	PROD.: C. TANNER	DATE: 30-MAY-78	K	PL	M8417-0-DBP		E
			7.BD							
			8.BF							
			9.							
			10.	ASSEMBLY NUMBER: D-UA-M8417-0-0		PART NUMBER: M8417-BB				
			11.			EDIT #				
			12.			11				

"THIS DRAWING AND SPECIFICATIONS HERFIN, ARE THE PROPERTY OF DIGITAL EQUIPMENT CORPORATION AND SHALL NOT BE REPRODUCED OR COPIED OR USED IN WHOLE OR IN PART AS THE BASIS FOR THE MANUFACTURE OR SALE OF ITEMS WITHOUT WRITTEN PERMISSION. COPYRIGHT 1979, DIGITAL EQUIPMENT CORPORATION"

LINE	ITEM	DOCUMENT NUMBER	PART NUMBER	DESCRIPTION	QTY	REFERENCE DESIGNATOR
30	30		1302872-00	681 1/4W 1% RN55D-F 100PPM	1	R89
31	31		1302956-00	196 1/4W 1% RN55D-F 100PPM	1	R94
32	32		1302957-00	121 1/4W 1% RN55D-F 100PPM	1	R101
33	33		1303045-00	3.16 K 1/4W 1% RN55D-F 100PPM	1	R76
34	34		1303067-00	422 1/4W 1% RN55D-F 100PPM	1	R99
35	35		1303110-00	19.6 1/4W 1% RN55D-F 100PPM	1	R93
36	36		1303226-00	68.1 1/4W 1% RN55D-F 100PPM	1	R86
37	37		1303311-00	46.4 K 1/4W 1% RN55D-F 100PPM	1	R75
38	38		1303313-00	12.1 K 1/4W 1% RN55D-F 100PPM	1	R97
39	39		1304725-00	300 1/4W 1% RN55D-F 100PPM	1	R107
40	40	SEE NOTE 90	1304833-00	1.96 K 1/4W 1% RN55D-F 100PPM	1	R92
41	41		1305122-00	51.1 1/4W 1% RN55D-F 100PPM	1	R85
42	42		1305123-00	215 1/4W 1% RN55D-F 100PPM	2	R91,R102
43	43		1305143-00	825 1/4W 1% RN55D-F 100PPM	2	R95,R79
44	44	SEE NOTE 90	1305253-00	7.15 K 1/4W 1% RN55D-F 100PPM	1	R87
45	45		1309405-00	68 1/2W 5% CC	2	R40,R49
46	46		1503100-00	DEC3009B NPN 200MW SI 20 25	7	Q1-05,Q8,Q9
47	47		1510171-00	D 44C3 NPN 30WT SI 30 20 Y	2	Q6,Q7
48	48		1614234-00	XFMR, CONVERTER, RATIO 1:3 300UH	1	T1
49	49		1909054-00	7493 COUNTER, ASYNCH UP, BI	2	E21,E24
50	50		1909705-00	DEC 8881 NAND GATE-QUAD 2IN 0	4	E3,E14,E17,E44
51	51		1910268-01	DEC 75107B-01 RECEIVER, LINE, DUA	3	E5,E10,E18
52	52		1910406-00	75451 DRIVER, PERIPH, DUAL,	1	E64
53	53		1910532-00	74S00 NAND GATE-QUAD 2INS	6	E4,E34,E37,E42,E43,E55
54	54		1910533-00	74S03 NAND GATE-QUAD 2IN,0	1	E13
55	55		1910534-00	74S04 INVERTER GATE-HEX 1I	2	E22,E54
56	56		1910536-00	74S10 NAND GATE-TRIPLE 3IN	3	E19,E61,E63
57	57		1910539-00	74S20 NAND GATE-DUAL 4INPU	1	E59
58	58		1910542-00	74S64 A-0-I GATE 4-2-3-2	1	E15
59	59		1910544-01	74S74-60GG-D DUAL, EDGE TRIG	1	E39
60	60		1910545-00	74S112 FF-JK DUAL, EDGE TRIG	3	E7,E20,E32
61	61		1910549-00	74S158 MUX 1 OF 2 (QUAD)	2	E26,E33
62	62		1911116-00	DEC 8837 RECEIVER, BUS, HEX, (N	5	E6,E8,E16,E38,E57
63	63		1911469-00	DEC 8640 RECEIVER, BUS, QUAD, U	1	E45
64	64		1911579-00	8641 TRANSCEIVER, BUS, QUA	3	E1,E11,E51
65	65		1911676-00	74S139 DECODER-DUAL TWO-INP	1	E56
66	66		1911712-00	74S51 AND-OR GATE-INVERT D	1	E58
67	67		1911944-00	555CN TIMER, FUNCT. BLOCK	1	E31
68	68		1911983-00	74S133 NAND GATE-POSITIVE 1	1	E60
69	69	SEE NOTE 92	1912048-02	DEC 7812-02 VOLT REG, FIXED +12	1	Q10
70	70		1912388-00	74S02 NOR GATE-QUAD 2IN,PO	3	E9,E25,E46
71	71		1912389-00	74S08 AND GATE-QUAD 2IN,PO	1	E23
72	72		1912541-00	VOLT. REG. FIX -	1	Q11
73	73		1912649-00	LS75 LATCH 4BIT, BISTABLE	3	E2,E12,E53
74	74		1912746-00	DEC 74S37 NAND GATE-QUAD 2IN	11	E27-E30,E35,E36,E41,E47-E50
75	75		1912803-00	LS04 INVERTER GATE-HEX 1I	1	E52
76	76		1912824-00	LS74 FF-D DUAL, EDGE TRIGG	1	E40
77	77		2113735-01	4K MOS RAM 200NS 1	96	E100-E123,E200-E223,E300-E323,E400-E423

D	I	G	I	T	A	L	TITLE	SECTION	5	OF	R	SIZE	CODE	DOCUMENT NUMBER	REV
							PDP8 MOS MEMORY							M8417-0-DBP	F

LINE ITEM	DOCUMENT NUMBER	PART NUMBER	DESCRIPTION	QTY	REFERENCE DESIGNATOR
78	78	2114114-01	*** THIS ITEM IS NOT USED ***	-	
79	79	2113914-01	*** THIS ITFM IS NOT USED ***	-	
80	80	2114475-01	*** THIS ITEM IS NOT USED ***	-	
81	81	9000024-01	EYELET, ROLLED FLANGE, .121 OD X	12	
82	82	9006557-00	NUT, KEP , 4-40X 1/4 AF	3	
83	83	9007254-00	TRANSIPADS #10146	1	
84	84	9008301-01	SCREW, PAN , PHIL, 4-40X 1/4	3	
85	85	9009185-00	JUMPER, WIRE, INSULATED, BLACK B	5	W2, W3, W4, W9, W11
86	86	9105740-55	WIRE(WRAP)30AWG UL1423	A/R	

- 87 NOTE: M8417-AA=M8417-AB, AC, AD, AE (16KX12)
- 88 NOTE: M8417-BA=M8417-BB, BC, BD, BE (32KX12)
- 89 NOTE: USED ON: OPTION/MODEL MS8-CA, MS8-CB
- 90 NOTE: R87, R92 MAY BE REMOVED AT MODULE TEST IF NEEDED.
- 91 NOTE: MIXING OF MOS RAMS IS NOT PERMITTED.
- 92 NOTE: REF ITEM #69 19-12048-05 ACCEPTABLE SUBSTITUTE FOR 19-12048-02.
- 93 NOTE: -----

D	I	G	I	T	A	L	TITLE	SECTION 5 OF 8	SIZE	CODE	DOCUMENT NUMBER	REV
							DPPR MOS MEMORY				MR417-n-DRP	E

LINE	ITEM	DOCUMENT NUMBER	PART NUMBER	DESCRIPTION	QTY	REFERENCE DESIGNATOR
1	1	D-UA-M8417-0-0		UNIT ASSY		REF
2	2	D-UA-M8417-0-0		*** THIS ITEM IS NOT USED ***		-
3	3		5012701-00	50-12701 32KX12 MOS MEMORY	1	1
4	4		1000006-00	10.0 MMF 100V 5%200PPM DM15S	1	C66
5	5		1000016-00	100.0 MMF 100V 5%200PPM DM15S	1	C64
6	6		1000042-00	1000.0 MMF 100V 5%200PPM DM15S	1	C65
7	7		1001610-01	.01 MFD 100V -20+80 Z5U DISC	53	C60,C75-C96,C98-C114,C116-C125,C128,C129, CONT C147
8	8		1005306-00	6.8MFD 35V 10% S.TANT	8	C53,C58,C67,C61,C62,C68,C140,C150
9	9		1010274-00	.22 MFD 50V -20+80 Z5U CER	60	C1-C48,C57,C69,C70,C133-C135,C141-C146
10	10		1010279-00	.47 MFD 25V 20% 2C023 CER.	6	C54-C56,C126,C130,C131
11	11		1012084-01	8 MFD 25V G% 30D AL EL	1	C52
12	12		1012121-00	220.0 MMF 100V 1%200PPM DM15S	6	C59,C63,C71-C74
13	13		1012219-00	47. MFD 30V G% 600D AL EL	3	C50,C51,C132
14	14		1101938-00	1N 4370A VZ= 2.4 5% .40W	1	D3
15	15		1104860-00	1N 746A VZ= 3.3 5%	1	D5
16	16		1105275-00	D 672 TR= 15NS PIV= 60V S1	21	D1,D2,D9-D27
17	17		1109943-00	1N 4733A VZ= 5.1 5% 1W Y	1	D28
18	18		1211164-04	SW,DIP 1P 1A 8POS	1	E62
19	19		1210711-02	HANDLE,MODULE,HEX	1	
20	20		1300250-00	150 1/4W 5% CC	1	R47
21	21		1300271-00	220 1/4W 5% CC	16	R123-R130
22	22		1300316-00	470 1/4W 5% CC	2	R46,R51
23	23		1300365-00	1 K 1/4W 5% CC	9	R45,R50,R53,R54,R82-R84,R103,R104
24	24		1300447-00	4.7 K 1/4W 5% CC	15	R55-R65,R77,R78,R81,R139
25	25		1300479-00	10 K 1/4W 5% CC	6	R71-R74,R121,R122
26	26		1302124-00	18 1/4W 5% CC	46	R1-R44,R90,R98
27	27		1302377-00	39 1/4W 5% CC	5	R52,R109-R112
28	28		1302859-00	5.76 K 1/4W 1% RN55D-F 100PPM	1	R96
29	29		1302871-00	1.21 K 1/4W 1% RN55D-F 100PPM	2	R80,R108

REVISION HISTORY		SECTION 6 OF 8	RESP.ENG.: J. STEGEMAN	DATE: 30-MAY-78	D	I	G	I	T	A	L
ENG:	ECO NUMBER	SECTION. VARIATION INDEX	MADE BY: L. METZGER	DATE: 30-MAY-78	TITLE PARTS LIST						
E.R.	00003	D	CHECKED: P. BOSSMAN	DATE: 30-MAY-78	PDP8 MOS MEMORY						
J.S.	M8417-ML004	E	DSN.ENG.: J. STEGEMAN	DATE: 30-MAY-78	SIZE	CODE	DOCUMENT NUMBER	REV			
		1. AB	PROD.: C. TANNER	DATE: 30-MAY-78	K	PL	M8417-0-DBP	E			
		2. AD	ASSEMBLY NUMBER: D-UA-M8417-0-0		PART NUMBER: M8417-BC			EDIT #			
		3. AC						11			
		4. AE									
		5. RB									
		6. BC									
		7. RD									
		8. RE									
		9.									
		10.									
		11.									
		12.									

"THIS DRAWING AND SPECIFICATIONS HEREIN, ARE THE PROPERTY OF DIGITAL EQUIPMENT CORPORATION AND SHALL NOT BE REPRODUCED OR COPIED OR USED IN WHOLE OR IN PART AS THE BASIS FOR THE MANUFACTURE OR SALE OF ITEMS WITHOUT WRITTEN PERMISSION. COPYRIGHT 1979, DIGITAL EQUIPMENT CORPORATION"

LINE	ITEM	DOCUMENT NUMBER	PART NUMBER	DESCRIPTION	QTY	REFERENCE DESIGNATOR
30	30		1302872-00	681 1/4W 1% RN55D-F 100PPM	1	R89
31	31		1302956-00	196 1/4W 1% RN55D-F 100PPM	1	R94
32	32		1302957-00	121 1/4W 1% RN55D-F 100PPM	1	R101
33	33		1303045-00	3.16 K 1/4W 1% RN55D-F 100PPM	1	R76
34	34		1303067-00	422 1/4W 1% RN55D-F 100PPM	1	R99
35	35		1303110-00	19.6 1/4W 1% RN55D-F 100PPM	1	R93
36	36		1303226-00	68.1 1/4W 1% RN55D-F 100PPM	1	R86
37	37		1303311-00	46.4 A 1/4W 1% RN55D-F 100PPM	1	R75
38	38		1303313-00	12.1 K 1/4W 1% RN55D-F 100PPM	1	R97
39	39		1304725-00	300 1/4W 1% RN55D-F 100PPM	1	R107
40	40	SEE NOTE 90	1304833-00	1.96 K 1/4W 1% RN55D-F 100PPM	1	R92
41	41		1305122-00	51.1 1/4W 1% RN55D-F 100PPM	1	R85
42	42		1305123-00	215 1/4W 1% RN55D-F 100PPM	2	R91,R102
43	43		1305143-00	825 1/4W 1% RN55D-F 100PPM	2	R95,R79
44	44	SEE NOTE 90	1305253-00	7.15 K 1/4W 1% RN55D-F 100PPM	1	R87
45	45		1309405-00	68 1/2W 5% CC	2	R48,R49
46	46		1503100-00	DEC3009B NPN 200MW SI 20 25	7	Q1-Q5,Q8,Q9
47	47		1510171-00	D 44C3 NPN 30WT SI 30 20 Y	2	Q6,Q7
48	48		1614234-00	XFMR, CONVERTER, RATIO 1:3 300UH	1	T1
49	49		1909054-00	7493 COUNTER, ASYNCH UP, BI	2	E21,E24
50	50		1909705-00	DEC 8881 NAND GATE-QUAD 2IN 0	4	E3,E14,E17,E44
51	51		1910268-01	DEC 75107B-01 RECEIVER, LINE, DUA	3	E5,E10,E18
52	52		1910406-00	75451 DRIVER, PERIPH, DUAL,	1	E64
53	53		1910532-00	74S00 NAND GATE-QUAD 2INS	6	E4,E34,E37,E42,E43,E55
54	54		1910533-00	74S03 NAND GATE-QUAD 2IN, 0	1	E13
55	55		1910534-00	74S04 INVERTER GATE-HEX 1I	2	E22,E54
56	56		1910536-00	74S10 NAND GATE-TRIPLE 3IN	3	E19,E61,E63
57	57		1910539-00	74S20 NAND GATE-DUAL 4INPU	1	E59
58	58		1910542-00	74S64 A-O-I GATE 4-2-3-2	1	E15
59	59		1910544-01	74S74-60GG-D DUAL, EDGE TRIG	1	E39
60	60		1910545-00	74S112 FF-JK DUAL, EDGE TRIG	3	E7,E20,E32
61	61		1910549-00	74S158 MUX 1 OF 2 (QUAD)	2	E26,E33
62	62		1911116-00	DEC 8837 RECEIVER, BUS, HEX, UN	5	E6,E8,E16,E38,E57
63	63		1911469-00	DEC 8640 RECEIVER, BUS, QUAD, U	1	E45
64	64		1911579-00	8641 TRANSCIVER, BUS, QUA	3	E1,E11,E51
65	65		1911676-00	74S139 DECODER-DUAL TWO-INP	1	E56
66	66		1911712-00	74S51 AND-OR GATE-INVERT D	1	E58
67	67		1911944-00	555CN TIMER, FUNCT. BLOCK	1	E31
68	68		1911983-00	74S133 NAND GATE-POSITIVE 1	1	E60
69	69	SEE NOTE 92	1912048-02	DEC 7812-02 VOLT REG, FIXED +12	1	Q10
70	70		1912388-00	74S02 NOR GATE-QUAD 2IN, PO	3	E9,E25,E46
71	71		1912389-00	74S08 AND GATE-QUAD 2IN, PO	1	E23
72	72		1912541-00	VOLT, REG, FIX -	1	Q11
73	73		1912649-00	LS75 LATCH 4BIT, BISTABLE	3	E2,E12,E53
74	74		1912746-00	DEC 74S37 NAND GATE-QUAD 2IN	11	E27-E30,E35,E36,E41,E47-E50
75	75		1912803-00	LS04 INVERTER GATE-HEX 1I	1	E52
76	76		1912824-00	LS74 FF-D DUAL, EDGE TRIG	1	E40
77	77		2113735-01	*** THIS ITEM IS NOT USED ***	-	

D	I	G	I	T	A	L	TITLE	POP8 MOS MEMORY	SECTION 6 OF 8	SIZE	CODE	DOCUMENT NUMBER	REV
										K	PL	M8417-0-DBP	E

LINE ITEM	DOCUMENT NUMBER	PART NUMBER	DESCRIPTION	QTY	REFERENCE DESIGNATOR
78	78	2114114-01	4K MOS RAM 200NS 1	96	E100-E123,E200-E223,E300-E323,E400-E423
79	79	2113914-01	*** THIS ITEM IS NOT USED ***	-	
80	80	2114475-01	*** THIS ITEM IS NOT USED ***	-	
81	81	9000024-01	EYFLET, ROLLED FLANGE, .121 OD X	12	
82	82	9006557-00	NUT,KEP , 4-40X 1/4 AF	3	
83	83	9007254-00	TRANSIPADS #10146	1	
84	84	9008301-01	SCREW,PAN ,PHIL, 4-40X 1/4	3	
85	85	9009185-00	JUMPER, WIRE, INSULATED, BLACK B	5	W2,W3,W4,W9,W11
86	86	9105740-55	WIRE(WRAP)30AWG UL1423	A/R	

- 87 NOTE: M8417-AA=M8417-AB,AC,AD,AE(16KX12)
- 88 NOTE: M8417-BA=M8417-BB,BC,BD,BE(32KX12)
- 89 NOTE: USED ON:OPTION/MODFL MS8-CA,MS8-CB
- 90 NOTE: R87,R92 MAY BE REMOVED AT MODULE TEST IF NEEDED.
- 91 NOTE: MIXING OF MOS RAMS IS NOT PERMITTED.
- 92 NOTE: REF ITEM #69 19-12048-05 ACCEPTABLE SUBSTITUTE FOR 19-12048-02.
- 93 NOTE: -----

D	I	G	I	T	A	L	TITLE	SECTION	6	OF	8	SIZE	CODE	DOCUMENT NUMBER	REV	
							POPR MOS MEMORY									
													K	PL	M8417-U-DBP	E

LINE	ITEM	DOCUMENT NUMBER	PART NUMBER	DESCRIPTION	QTY	REFERENCE DESIGNATOR
1	1	D-UA-M8417-0-0		UNIT ASSY		REF
2	2	D-UA-M8417-0-0		*** THIS ITEM IS NOT USED ***	-	
3	3		5012701-00	50-12701 32KX12 MOS MEMORX	1	
4	4		1000006-00	10.0 MMF 100V 5%200PPM DM15S	1	C66
5	5		1000016-00	100.0 MMF 100V 5%200PPM DM15S	1	C64
6	6		1000042-00	1000.0 MMF 100V 5%200PPM DM15S	1	C65
7	7		1001610-01	.01 MFD 100V -20+80 25U DISC	53	C60,C75-C96,C98-C114,C116-C125,C128,C129, CONT C147
8	8		1005306-00	6.8MFD 35V 10% S.TANT	8	C53,C58,C67,C61,C62,C68,C140,C150
9	9		1010274-00	.22 MFD 50V -20+80 25U CER	60	C1-C48,C57,C69,C70,C133-C135,C141-C146
10	10		1010279-00	.47 MFD 25V 20% 2C023 CER.	6	C54-C56,C126,C130,C131
11	11		1012084-01	8 MFD 25V G% 30D AL EL	1	C52
12	12		1012121-00	220.0 MMF 100V 1%200PPM DM15S	6	C59,C63,C71-C74
13	13		1012219-00	47. MFD 30V G% 600D AL EL	3	C50,C51,C132
14	14		1101938-00	1N 4370A VZ= 2.4 5% .40W	1	D3
15	15		1104860-00	1N 746A VZ= 3.3 5%	1	D5
16	16		1105275-00	D 672 TR= 15NS PIV= 60V SI	21	D1,D2,D9-D27
17	17		1109943-00	1N 4733A VZ= 5.1 5% 1W Y	1	D28
18	18		1211164-04	Sw,DIP 1P 1A 0POS	1	E62
19	19		1210711-02	HANDLE,MODULE,HEX	1	
20	20		1300250-00	150 1/4W 5% CC	1	R47
21	21		1300271-00	220 1/4W 5% CC	16	R123-R138
22	22		1300316-00	472 1/4W 5% CC	2	R45,R51
23	23		1300365-00	1 K 1/4W 5% CC	9	R45,R50,R53,R54,R82-R84,R103,R104
24	24		1300447-00	4.7 K 1/4W 5% CC	15	R55-R65,R77,R78,R81,R139
25	25		1300479-00	10 K 1/4W 5% CC	6	R71-R74,R121,R122
26	26		1302124-00	18 1/4W 5% CC	46	R1-R44,R90,R98
27	27		1302377-00	39 1/4W 5% CC	5	R52,R109-R112
28	28		1302859-00	5.76 K 1/4W 1% RN55D-F 100PPM	1	R96
29	29		1302871-00	1.21 K 1/4W 1% RN55D-F 100PPM	2	R80,R108

REVISION HISTORY		SECTION 7 OF 8	RESP.ENG.: J.STEGEMAN	DATE: 30-MAY-78	D I G I T A L
ENG:	ECO NUMBER	REV	MADE BY: L. METZGER	DATE: 30-MAY-78	TITLE PARTS LIST
E.R.	00003	D	CHECKED: P.ROSSMAN	DATE: 30-MAY-78	PDP8 MOS MEMORY
J.S.	M8417-ML004	E	DSN.ENG.: J.STEGEMAN	DATE: 30-MAY-78	SIZE:CODE: DOCUMENT NUMBER: REV
		1.AB	PROD.: C.TANNER	DATE: 30-MAY-78	K PL M8417-0-DBP E
		2.AD	ASSEMBLY NUMBER: D-UA-M8417-0-0		PART NUMBER: M8417-BD EDIT #: 11
		3.AC			
		4.AE			
		5.BB			
		6.FC			
		7.BD			
		8.PE			
		9.			
		10.			
		11.			
		12.			

"THIS DRAWING AND SPECIFICATIONS HEREIN, ARE THE PROPERTY OF DIGITAL EQUIPMENT CORPORATION AND SHALL NOT BE REPRODUCED OR COPIED OR USED IN WHOLE OR IN PART AS THE BASIS FOR THE MANUFACTURE OR SALE OF ITEMS WITHOUT WRITTEN PERMISSION. COPYRIGHT 1979, DIGITAL EQUIPMENT CORPORATION"

LINE	ITEM	DOCUMENT NUMBER	PART NUMBER	DESCRIPTION	QTY	REFERENCE DESIGNATOR
30	30		1302872-00	681 1/4W 1% RN55D-F 100PPM	1	R89
31	31		1302956-00	196 1/4W 1% RN55D-F 100PPM	1	R94
32	32		1302957-00	121 1/4W 1% RN55D-F 100PPM	1	R101
33	33		1303045-00	3.16 K 1/4W 1% RN55D-F 100PPM	1	R76
34	34		1303067-00	422 1/4W 1% RN55D-F 100PPM	1	R99
35	35		1303110-00	19.6 1/4W 1% RN55D-F 100PPM	1	R93
36	36		1303226-00	68.1 1/4W 1% RN55D-F 100PPM	1	R86
37	37		1303311-00	46.4 K 1/4W 1% RN55D-F 100PPM	1	R75
38	38		1303313-00	12.1 K 1/4W 1% RN55D-F 100PPM	1	R97
39	39		1304725-00	300 1/4W 1% RN55D-F 100PPM	1	R107
40	40	SEE NOTE 90	1304833-00	1.96 K 1/4W 1% RN55D-F 100PPM	1	R92
41	41		1305122-00	51.1 1/4W 1% RN55D-F 100PPM	1	R85
42	42		1305123-00	215 1/4W 1% RN55D-F 100PPM	2	R91,R102
43	43		1305143-00	825 1/4W 1% RN55D-F 100PPM	2	R95,R79
44	44	SEE NOTE 90	1305253-00	7.15 K 1/4W 1% RN55D-F 100PPM	1	R87
45	45		1309405-00	68 1/2W 5% CC	2	R48,R49
46	46		1503100-00	DEC3009B NPN 200MW S1 20 25	7	Q1-Q5,Q8,Q9
47	47		1510171-00	D 44C3 NPN 30WT S1 30 20 Y	2	Q6,Q7
48	48		1614234-00	XFRM, CONVERTER, RATIO 1:3 300UH	1	I1
49	49		1909054-00	7493 COUNTER, ASYNCH UP, RI	2	E21,E24
50	50		1909705-00	DEC 8881 NAND GATE-QUAD 2IN 0	4	E3,E14,E17,E44
51	51		1910268-01	DEC 75107B-01 RECEIVER, LINE, DUA	3	E5,E10,E18
52	52		1910406-00	75451 DRIVER, PERIPH, DUAL,	1	E64
53	53		1910532-00	74S00 NAND GATE-QUAD 2INS	6	E4,E34,E37,E42,E43,E55
54	54		1910533-00	74S03 NAND GATE-QUAD 2IN, 0	1	E13
55	55		1910534-00	74S04 INVERTER GATE-HEX 1I	2	E22,E54
56	56		1910536-00	74S10 NAND GATE-TRIPLE 3IN	3	E19,E61,E63
57	57		1910539-00	74S20 NAND GATE-DUAL 4INPU	1	E59
58	58		1910542-00	74S64 A-0-I GATE 4-2-3-2	1	E15
59	59		1910544-01	74S74-60GG-D DUAL, EDGE TRIG	1	E39
60	60		1910545-00	74S112 FF-JK DUAL, EDGE TRIG	3	E7,E20,E32
61	61		1910549-00	74S158 MUX 1 OF 2 (QUAD)	2	E26,E33
62	62		1911116-00	DEC 8837 RECEIVER, BUS, HEX, UN	5	E6,E8,E16,E38,E57
63	63		1911469-00	DEC 8640 RECEIVER, BUS, QUAD, U	1	E45
64	64		1911579-00	8641 TRANSCEIVER, BUS, QUA	3	E1,E11,E51
65	65		1911676-00	74S139 DECODER-DUAL TWO-INP	1	E56
66	66		1911712-00	74S51 AND-OR GATE-INVERT D	1	E58
67	67		1911944-00	555CN TIMER, FUNCT. BLOCK	1	E31
68	68		1911983-00	74S133 NAND GATE-POSITIVE 1	1	E60
69	69	SEE NOTE 92	1912048-02	DEC 7812-02 VOLT REG, FIXED +12	1	Q10
70	70		1912388-00	74S02 NOR GATE-QUAD 2IN, PO	3	E9,E25,E46
71	71		1912389-00	74S08 AND GATE-QUAD 2IN, PO	1	E23
72	72		1912541-00	VOLT, REG, FIX -	1	Q11
73	73		1912649-00	LS75 LATCH 4BIT, BISTABLE	3	E2,E12,E53
74	74		1912746-00	DEC 74S37 NAND GATE-QUAD 2IN	11	E27-E30,E35,E36,E41,E47-E50
75	75		1912803-00	LS04 INVERTER GATE-HEX 1I	1	E52
76	76		1912824-00	LS74 FF-D DUAL, EDGE TRIGG	1	E40
77	77		2113735-01	*** THIS ITEM IS NOT USED ***	-	

D	I	G	I	T	A	L	TITLE	SECTION	7	OF	8	SIZE	CODE	DOCUMENT NUMBER	REV
							PM88 MOS MEMORY					K	PL	M8417-0-DBP	E

LINE ITEM	DOCUMENT NUMBER	PART NUMBER	DESCRIPTION	QTY	REFERENCE DESIGNATOR
78	78	2114114-01	*** THIS ITEM IS NOT USED ***	-	
79	79	2113914-01	4K MOS RAM 200NS 1	96	E100-E123,E200-E223,E300-E323,E400-E423
80	80	SEE NOTE 91	*** THIS ITEM IS NOT USED ***	-	
81	81	2114475-01	EYELET, ROLLED FLANGE, .121 OD X	12	
82	82	9000024-01	NUT,KEP , 4-40X 1/4 AF	3	
83	83	USE WITH Q6,Q7,Q10	9006557-00	3	
84	84	USE WITH Q11	9007254-00	1	
85	85	USE WITH Q6,Q7,Q10	9008301-01	3	
86	86	9009185-00	SCREW,PAN ,PHIL, 4-40X 1/4	5	W2,W3,W4,W9,W11
		9105740-55	JUMPER, WIRE, INSULATED, BLACK B	5	
			WIRE(WRAP)30AWG UL1423	A/R	

- 87 NOTE: M8417-AA=M8417-AB,AC,AD,AE(16KX12)
- 88 NOTE: M8417-BA=M8417-BB,BC,BD,BE(32KX12)
- 89 NOTE: USED ON:OPTION/MODEL MS8-CA,MS8-CB
- 90 NOTE: R87,R92 MAY BE REMOVED AT MODULE TEST IF NEEDED.
- 91 NOTE: MIXING OF MOS RAMS IS NOT PERMITTED.
- 92 NOTE: REF ITEM #69 19-12048-05 ACCEPTABLE SUBSTITUTE FOR 19-12048-02.
- 93 NOTE: -----

D	I	G	I	T	A	L	TITLE	SECTION	7	OF	8	SIZE	CODE	DOCUMENT NUMBER	REV
							PDP8 MOS MEMORY					K	PL	M8417-0-DBP	E

LINE ITEM	DOCUMENT NUMBER	PART NUMBER	DESCRIPTION	QTY	REFERENCE DESIGNATOR
1	D-UA-M8417-0-0		UNIT ASSY		REF
2	D-UA-M8417-0-0		*** THIS ITEM IS NOT USED ***	-	
3		5012701-00	50-12701 32KX12 MOS MEMORX	1	
4		1000006-00	10.0 MMF 100V 5%200PPM DM15S	1	C66
5		1000016-00	100.0 MMF 100V 5%200PPM DM15S	1	C64
6		1000042-00	1000.0 MMF 100V 5%200PPM DM15S	1	C65
7		1001610-01	.01 MFD 100V -20+80 Z5U DISC	53	C60,C75-C96,C98-C114,C116-C125,C128,C129, CONT C147
8		1005306-00	6.8MFD 35V 10% S.TANT	8	C53,C58,C67,C61,C62,C68,C140,C150
9		1010274-00	.22 MFD 50V -20+80 Z5U CER	60	C1-C48,C57,C69,C70,C133-C135,C141-C146
10		1010279-00	.47 MFD 25V 20% 2C023 CER.	6	C54-C56,C126,C130,C131
11		1012084-01	8 MFD 25V G% 3ND AL EL	1	C52
12		1012121-00	220.0 MMF 100V 1%200PPM DM15S	6	C59,C63,C71-C74
13		1012219-00	17. MFD 30V G% 60ND AL EL	3	C50,C51,C132
14		1101938-00	1N 4370A VZ= 2.4 5% .40W	1	D3
15		1104860-00	1N 746A VZ= 3.3 5%	1	D5
16		1105275-00	D 672 TR= 15NS PIV= 60V SI	21	D1,D2,D9-D27
17		1109943-00	1N 4733A VZ= 5.1 5% 1W Y	1	D28
18		1211164-04	SW,DIP 1P 1A SPOS	1	E62
19		1210711-02	HANDLE,MODULE,HEX	1	
20		1300250-00	150 1/4W 5% CC	1	R47
21		1300271-00	220 1/4W 5% CC	16	R123-R138
22		1300316-00	470 1/4W 5% CC	2	R40,R51
23		1300365-00	1 K 1/4W 5% CC	9	R45,R50,R53,R54,R82-R84,R103,R104
24		1300447-00	4.7 K 1/4W 5% CC	15	R55-R65,R77,R78,R81,R139
25		1300479-00	10 K 1/4W 5% CC	6	R71-R74,R121,R122
26		1302124-00	18 1/4W 5% CC	46	R1-R44,R90,R98
27		1302377-00	39 1/4W 5% CC	5	R52,R109-R112
28		1302859-00	5.76 K 1/4W 1% RN55D-F 100PPM	1	R96
29		1302871-00	1.21 K 1/4W 1% RN55D-F 100PPM	2	R80,R108

REVISION HISTORY		SECTION 8 OF 8	RESP.ENG.: J.STEGEMAN	DATE: 30-MAY-78	D	I	G	I	T	A	L
ENG	ECO NUMBER	REV	SECTION. VARIATION INDEX	MADF BY: L. METZGER	DATE: 30-MAY-78	TITLE PARTS LIST					
E.R.	00003	D				PDP8 MOS MEMORY					
J.S.	M8417-ML004	E	1.AB	CHECKED: P.BOSSMAN	DATE: 30-MAY-78						
			2.AD	DSN.ENG.: J.STEGEMAN	DATE: 30-MAY-78						
			3.AC								
			4.AE	PRGD.: C.TANNER	DATE: 30-MAY-78						
			5.BB								
			6.FC								
			7.HD								
			8.RE								
			9.								
			10.								
			11.								
			12.	ASSEMBLY NUMBER: D-UA-M8417-0-0		PART NUMBER: M8417-0-DBP					
						EDIT # 11					

"THIS DRAWING AND SPECIFICATIONS HEREIN, ARE THE PROPERTY OF DIGITAL EQUIPMENT CORPORATION AND SHALL NOT BE REPRODUCED OR COPIED OR USED IN WHOLE OR IN PART AS THE BASIS FOR THE MANUFACTURE OR SALE OF ITEMS WITHOUT WRITTEN PERMISSION. COPYRIGHT 1979. DIGITAL EQUIPMENT CORPORATION"

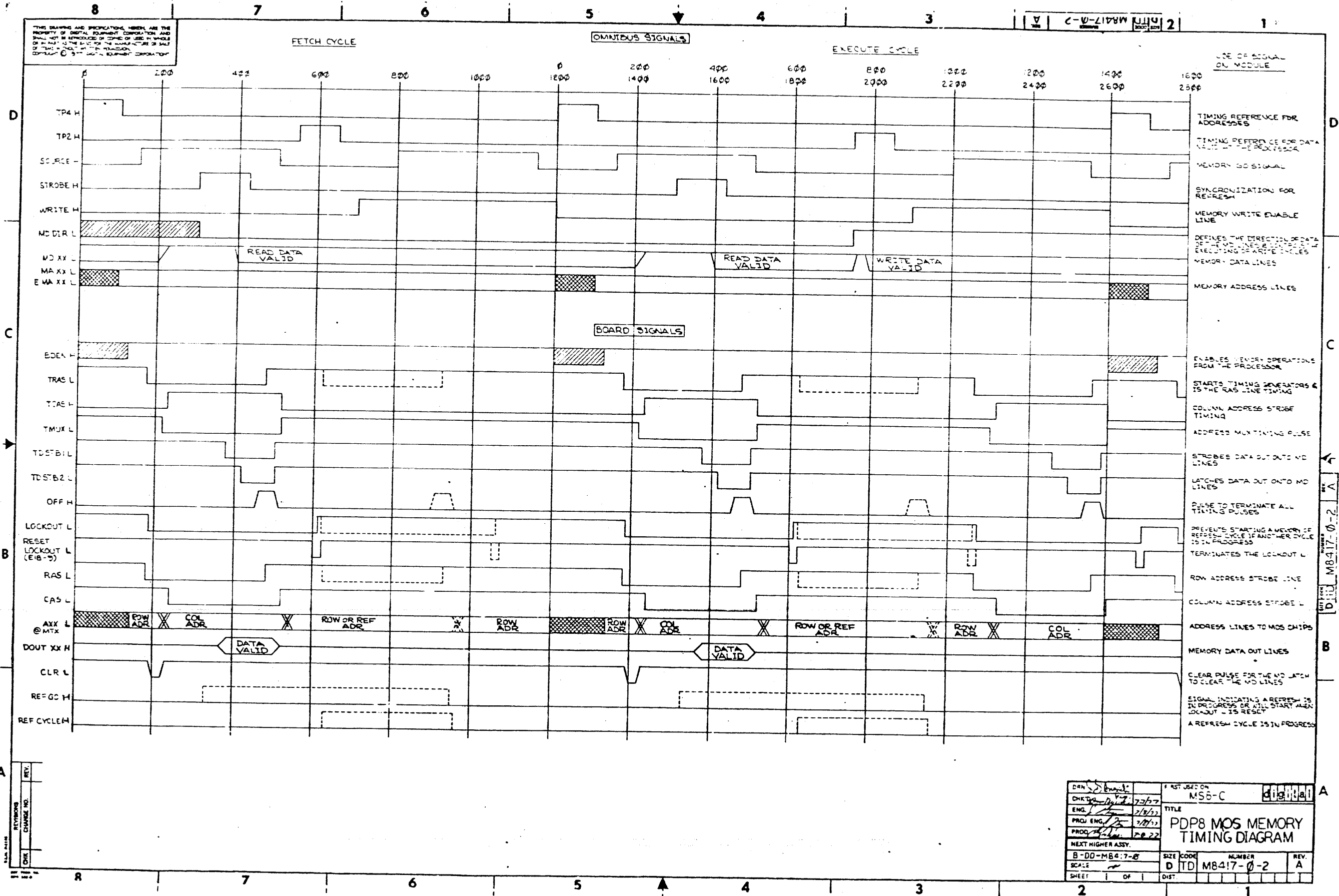
LINE	ITEM	DOCUMENT NUMBER	PART NUMBER	DESCRIPTION	QTY	REFERENCE DESIGNATOR
30	30		1302872-00	681 1/4W 1% RN55D-F 100PPM	1	R89
31	31		1302956-00	196 1/4W 1% RN55D-F 100PPM	1	R94
32	32		1302957-00	121 1/4W 1% RN55D-F 100PPM	1	R101
33	33		1303045-00	3.16 K 1/4W 1% RN55D-F 100PPM	1	R76
34	34		1303067-00	422 1/4W 1% RN55D-F 100PPM	1	R99
35	35		1303110-00	19.6 1/4W 1% RN55D-F 100PPM	1	R93
36	36		1303226-00	68.1 1/4W 1% RN55D-F 100PPM	1	R86
37	37		1303311-00	46.4 K 1/4W 1% RN55D-F 100PPM	1	R75
38	38		1303313-00	12.1 K 1/4W 1% RN55D-F 100PPM	1	R97
39	39		1304725-00	300 1/4W 1% RN55D-F 100PPM	1	R107
40	40	SEE NOTE 90	1304833-00	1.96 K 1/4W 1% RN55D-F 100PPM	1	R92
41	41		1305122-00	51.1 1/4W 1% RN55D-F 100PPM	1	R85
42	42		1305123-00	215 1/4W 1% RN55D-F 100PPM	2	R91,R102
43	43		1305143-00	825 1/4W 1% RN55D-F 100PPM	2	R95,R79
44	44	SEE NOTE 90	1305253-00	7.15 K 1/4W 1% RN55D-F 100PPM	1	R87
45	45		1309405-00	68 1/2W 5% CC	2	R48,R49
46	46		1503100-00	DEC3009B NPN 200MW S1 20 25	7	Q1-Q5,Q8,Q9
47	47		1510171-00	D 44C3 NPN 30WT S1 30 20 Y	2	Q6,Q7
48	48		1614234-00	XFMR, CONVERTER, RATIO 1:3 300UH	1	I1
49	49		1909054-00	7493 COUNTER, ASYNCH UP, BI	2	E21,E24
50	50		1909705-00	DEC 8881 NAND GATE-QUAD 2IN O	4	E3,E14,E17,E44
51	51		1910268-01	DEC 75107B-01 RECEIVER, LINE, DUA	3	E5,E10,E18
52	52		1910406-00	75451 DRIVER, PERIPH, DUAL,	1	E64
53	53		1910532-00	74S00 NAND GATE-QUAD 2INS	6	E4,E34,E37,E42,E43,E55
54	54		1910533-00	74S03 NAND GATE-QUAD 2IN, O	1	E13
55	55		1910534-00	74S04 INVERTER GATE-HEX 1I	2	E22,E54
56	56		1910536-00	74S10 NAND GATE-TRIPLE 3IN	3	E19,E61,E63
57	57		1910539-00	74S20 NAND GATE-DUAL 4INPU	1	E59
58	58		1910542-00	74S64 A-O-I GATE 4-2-3-2	1	E15
59	59		1910544-01	74S74-60GG-D DUAL, EDGE TRIG	1	E39
60	60		1910545-00	74S112 FF-JK DUAL, EDGE TRIG	3	E7,E20,E32
61	61		1910549-00	74S158 MUX 1 OF 2 (QUAD)	2	E26,E33
62	62		1911116-00	DEC 8837 RECEIVER, BUS, HEX, UN	5	E6,E8,E16,E38,E57
63	63		1911469-00	DEC 8640 RECEIVER, BUS, QUAD, U	1	E45
64	64		1911579-00	8641 TRANSCIEVER, BUS, QUA	3	E1,E11,E51
65	65		1911676-00	74S139 DECODER-DUAL TWO-INP	1	E56
66	66		1911712-00	74S51 AND-OR GATE-INVERT D	1	E58
67	67		1911944-00	555CN TIMER, FUNCT, BLOCK	1	E31
68	68		1911983-00	74S133 NAND GATE-POSITIVE 1	1	E60
69	69	SEE NOTE 92	1912048-02	DEC 7812-02 VOLT REG, FIXED +12	1	Q10
70	70		1912388-00	74S02 NOR GATE-QUAD 2IN, PO	3	E9,E25,E46
71	71		1912389-00	74S08 AND GATE-QUAD 2IN, PO	1	E23
72	72		1912541-00	VOLT. REG. FIX -	1	Q11
73	73		1912649-00	LS75 LATCH 4BIT, BISTABLE	3	E2,E12,E53
74	74		1912746-00	DEC 74S37 NAND GATE-QUAD 2IN	11	E27-E30,E35,E36,E41,E47-E50
75	75		1912803-00	LS04 INVERTER GATE-HEX 1I	1	E52
76	76		1912824-00	LS74 FF-D DUAL, EDGE TRIGG	1	E40
77	77		2113735-01	*** THIS ITEM IS NOT USED ***	-	

D	I	G	I	T	A	L	TITLE	SECTION	8	OF	8	SIZE	CODE	DOCUMENT NUMBER	REV
							PDP8 MOS MEMORY					K	PL	M8417-0-DBP	E

LINE ITEM	DOCUMENT NUMBER	PART NUMBER	DESCRIPTION	QTY	REFERENCE DESIGNATOR
78	78	2114114-01	*** THIS ITEM IS NOT USED ***	-	
79	79	2113914-01	*** THIS ITEM IS NOT USED ***	-	
80	80	SEE NOTE 91	2114475-01	4K MOS RAM 200NS 1	96 E100-E123,E200-E223,E300-E323,E400-E423
81	81		9000024-01	EYELFT, ROLLED FLANGE, .121 OD X	12
82	82	USE WITH Q6,Q7,Q10	9006557-00	NUT,KEP , 4-40X 1/4 AF	3
83	83	USE WITH Q11	9007254-00	TRANSIPADS #10146	1
84	84	USE WITH Q6,Q7,Q10	9008301-01	SCREW,PAN ,PHIL, 4-40X 1/4	3
85	85		9009185-00	JUMPER, WIRE, INSULATED, BLACK B	5 W2,W3,W4,W9,W11
86	86		9105740-55	WIRE(WRAP)30AWG UL1423	A/R

- 87 NOTE: M8417-AA=M8417-AB,AC,AD,AE(16KX12)
- 88 NOTE: M8417-BA=M8417-BB,BC,BD,BE(32KX12)
- 89 NOTE: USED ON:OPTION/MODEL MS8-CA,MS8-CB
- 90 NOTE: R87,R92 MAY BE REMOVED AT MODULE TEST IF NEEDED.
- 91 NOTE: MIXING OF MOS RAMS IS NOT PERMITTED.
- 92 NOTE: REF ITEM #69 19-12048-05 ACCEPTABLE SUBSTITUTE FOR 19-12048-02.
- 93 NOTE: -----

D	I	G	I	T	A	L	TITLE	SECTION	8	OF	8	SIZE	CODE	DOCUMENT NUMBER	REV
							PDP8 MOS MEMORY					K	PL	M8417-0-DBP	E



DRN: <i>Shank</i>	FIRST USED ON: M85-C	DIGITAL
CHKD: <i>1/17/77</i>	7/3/77	
ENG: <i>1/17/77</i>	7/3/77	
PROJ ENG: <i>1/17/77</i>	7/3/77	
PROD: <i>1/17/77</i>	7/3/77	
NEXT HIGHER ASSY:		
B-DD-M847-0	SIZE CODE: D	NUMBER: M8417-0-2
SCALE: <i>1/1</i>	REV: A	
SHEET: 1	OF: 1	DIST: 1

This document contains confidential proprietary information of DEC. This information shall not be disclosed to persons outside the employ of DEC, except by DEC personnel so authorized by DEC, and may be used by such other persons in the design, production or manufacture of products for DEC. Copyright © 1977 Digital Equipment Corporation.

**DIGITAL EQUIPMENT CORPORATION
MAYNARD, MASSACHUSETTS**

ENGINEERING SPECIFICATION

DATE 14 JUNE 77

TITLE MS8C Field Installation and Acceptance Procedure

REVISIONS

REV	DESCRIPTION	CHG NO	ORIG	DATE	APPD BY	DATE

ENG <i>Bill E...</i>	APPD <i>[Signature]</i>	SIZE A	CODE SP	NUMBER MS8-C-3	REV
-------------------------	----------------------------	-----------	------------	-------------------	-----

DEC 16-(392)-1079A-R873
DRA 107A

SHEET 1 OF 3

ENGINEERING SPECIFICATION

CONTINUATION SHEET

TITLE MS8C Field Installation and Acceptance Procedure

I. General

This procedure defines the performance standards required of the MS8CA and MS8CB Memories. The MS8C can be installed in any PDP8A series computers. The Memory may be an add-on to PDP8E systems if a BA8C expander is used.

II. Inspection Add-on

After removing the M8417 from the packing material, inspect the module for the following:

1. Loose or broken components.
2. Inventory against shipping lists.

III. Installation

1. Switch/Field Selection

MS8-CA (1) One switch(only) must be off.
MS8-CB (2) Two switch(only) must be off.

Set-up switch as defined in the following table. Switches off are the enable.

	Address	Bank	Field
S1-1	0-16K	0	0-3
S1-2	16-32K	0	4-7
*S1-3	32-48K	1	0-3
*S1-4	48-64K	1	4-7
*S1-5	64-80K	2	0-3
*S1-6	80-96K	2	4-7
*S1-7	96-112K	3	0-3
*S1-8	112-128K	3	4-7

*NOTE: KT8A must be installed for these settings. Refer to the KT8A Installation and Acceptance Procedures for KT8A systems acceptance.

2. Install

Ensure power to PDP8A is off.
Insert the M8417 into slot 4 of the PDP8A.
If two memories are to be installed, install the second in slot 5.

IV. Acceptance

Perform the acceptance test as indicated in the following table. If problems are encountered, refer to the diagnostic listings for the type of error and for information on how to read the error printouts.

SIZE A	CODE SP	NUMBER MS8-C-3	REV
-----------	------------	-------------------	-----

DEC FORM NO DEC 16-(381)-1022-M370
DRA 108

SHEET 2 OF 3

TITLE MS8C Field Installation and Acceptance Procedure

Equipment Required:

1. 03,04 Console Terminal
2. PDP8A with MS8C Memory
- *3. Input device, either paper tape or OS8.
4. Diagnostics and listings.

*Programmers console is required to make Switch register settings on the paper tape version of the diagnostic.

<u>Program Name</u>	<u>Maindec #</u>	<u>Accept Time</u>
Extended Memory Address Test	08-DHKMA	30 Minutes
Extended Memory Checkerboard	08-DHKMC	30 Minutes

No Errors are Acceptable.

DIGITAL EQUIPMENT CORPORATION
MAYNARD, MASSACHUSETTS

ENGINEERING SPECIFICATION

DATE 18 July 77

TITLE MSB-C 32K PDP-8 MOS MEMORY ENGINEERING SPECIFICATION

REVISIONS

REV	DESCRIPTION	CHG NO	ORIG	DATE	APPD BY	DATE

ENG <i>Bill Emul</i>	APPD <i>Stacy</i>	SIZE A	CODE CP	NUMBER MSB-C-1	REV
----------------------	-------------------	---------------	----------------	-----------------------	-----

DEC FORM NO EN-01022-16-01370-1(201)
DRA 100

SHEET 1 OF 7

ENGINEERING SPECIFICATION

[Signature]

CONTINUATION SHEET

TITLE MSB-C 32K PDP-8 MOS MEMORY ENGINEERING SPECIFICATION

GENERAL DESCRIPTION: The MSB-C is a 32K X 12 MOS memory using 4096 bit MOS RAM's, packaged on a standard hex module and designed to interface to the PDP-8 OMNIBUS. It requires +5 and -15 Volts.

DETAILED SPECIFICATIONS

PACKAGING: DEC standard hex module. Multilayer printed circuit board with inner layers distributing the +12V, +5V, -5V and ground. The module has a standard metal handle with retractors.

ADDRESS SPACE: May be 16K or 32K by 12 bits. For any of these options, the address space may be programmed by a dip switch to start on any 16K boundary from 0 to 128K. The memory size is programmed by a machine insertable jumper.

STORAGE DEVICE: The MSB-C uses the 16 pin, address multiplexed, dynamic 4096 bit MOS RAM as the storage device.

INTERFACE: The control logic is designed to provide complete timing for the RAM's. Connections are made on Connectors A thru E as outlined in Table 1. It will perform Fetch, Defer and Execute cycles in accordance with the OMNIBUS specification. In addition, the logic will perform refresh cycles, every 13.5 usec synchronized to be hidden in between the Read and Write half of any cycle. The control, to insure data integrity, forces asynchronous refresh cycles if the processor timing is halted due to a halt or an I/O stall.

Refresh is resynchronized with the processor by the use of the NTS Stall line. The processor timing is stalled at TPI from 0 to 500 nsec on restart.

ROM ADRS L allows a ROM to overlay memory locations. The control performs a memory cycle but no data is put on the MD bus.

SOURCE H is used as the memory go signal and also is used to clear the MD bus at the start of a Fetch, Defer or Execute cycle.

The control requires initialization upon power up which is done by a positive transition on the POWER OK H line. The memory is ready for operation a maximum of 2.5 msec after POWER OK H. The memory is volatile so if power is lost, the memory data is lost.

The memory requires +5V, -15V and Ground to operate. The memory array requires +12V, -5V, +5V and Ground to operate. The module generates -5V from -15V through a fixed regulator. The +12V is generated from +5 through a switching regulator. The least significant bit of the refresh counter alternately drives a pair of transistors switches connected to a 1:3 step up transformer. The voltage on the secondary is rectified and put into a fixed 12V regulator. The drive transistors are controlled to not turn on unless the +5V is greater than 3.8V to prevent current surges on the +5 supply.

SIZE A	CODE CP	NUMBER MSB-C-2	REV
---------------	----------------	-----------------------	-----

DEC FORM NO EN-01022-16-01370-1(201)
DRA 100

SHEET 2 OF 7

ENGINEERING SPECIFICATION

[Signature]

CONTINUATION SHEET

TITLE MSB-C 32K PDP-8 MOS MEMORY ENGINEERING SPECIFICATION

They also are turned off if the -5V supply falls below -3V to protect the MOS RAM's. An etch inductor and a pair of capacitors between the transformer center taps and +5V prevents switching noise from being injected onto the +5V supply lines. DAI and EPI are the -5V margin and +12V margin control pins. Supplying a bi-directional voltage to these pins allows margining of the array during manufacturing test.

Both the -5V and the +12V supplies start automatically upon power up. Asynchronous refresh is also started automatically upon power up.

All MA and EMA lines are terminated with a clamp diode to prevent undershoot. BANK SEL 0L thru BANK SEL 3L are pulled up to +5 by a 10KΩ resistors since they are unterminated in systems not extended beyond 32K.

For manufacturing margining purposes, nodes in two resistor networks determining RAM timing are brought through buffer resistors to pins AA1 and BA1, T MARGIN 1 and T MARGIN 2.

Test points from the board position switches are brought to the E connector for manufacturing test, as is a refresh disable line, EA1, and the refresh oscillator output, DB1.

Four test points are brought to the connectors for the purpose of adjusting the internal timing on the module. They are TRAS L at CA1, THUX L at AB1, TDSTB1L at BB1 and LOCKOUT L at CB1. These timing adjustments are made at module test.

POWER: The memory requires +5V ± 5% and -15V ± 10% inclusive of all aberrations. The current required for operating and standby is shown below, assuming a maximum operating frequency of .83 Mhz.

	16K				32K			
	OPERATE		STANDBY		OPERATE		STANDBY	
	TYP	MAX	TYP	MAX	TYP	MAX	TYP	MAX
+5V	2.3 A	3.3 A	1.7 A	2.6 A	2.6 A	3.8 A	2.0 A	2.8 A
-15V	.05A	.07A	.05A	.07A	.05A	.07A	.05A	.07A
TOTAL WATTS	12.0 W	17.6 W	9.3 W	14.1 W	13.8 W	18.6 W	10.8 W	15.1 W

SPEED: The access time assumes that no stall has occurred and is measured from SOURCE H to memory data on the MD lines.

T_{access}: 2f5 nsec Max
265 nsec Typ

T_{cycle}: 1.2 usec Max Fetch Cycle
1.4 usec Max Execute Cycle

SIZE A	CODE CP	NUMBER MSB-C-2	REV
---------------	----------------	-----------------------	-----

DEC FORM NO EN-01022-16-01370-1(201)
DRA 100

SHEET 3 OF 7

ENGINEERING SPECIFICATION

[Signature]

CONTINUATION SHEET

TITLE MSB-C 32K PDP-8 MOS MEMORY ENGINEERING SPECIFICATION

MTBF: Calculated by DEC Part Count method using F = .5%/1000 Hours for Ground Fixed MOS RAM and F = .3%/1000 Hours for Ground Benign.

	GROUND BENIGN	GROUND FIXED
16K X 12	48.3K Hours	23.4K Hours
32K X 12	28.5K Hours	15.0K Hours

ADJUSTMENTS: The internal memory timing is adjusted at module test by the removal or insertion of a resistor in the timing generators.

TRASL To THUXL
CA1 AB1

25nsec < T_D < 45nsec OK

T_D < 25 nsec Insert R100

TRASL To TDSTB1L
CA1 BB1

200nsec < T_D < 220nsec OK

T_D > 220nsec Cut R92 Out

T_D < 200nsec Insert R140

TRASL To LOCKOUT L
CA1 CB1

130nsec < T_D < 150nsec OK

T_D > 150nsec Insert R88

T_D < 130nsec Cut R87 Out

MARGINS: The memory should operate with all permutations of +5 ± 5% and -15V ± 10% with any program and stored content. It should also run at +5V and -15V with Pins AA1 and BA1 tied to any voltage source between Ground and +5V, with any program and stored contents.

SIZE A	CODE CP	NUMBER MSB-C-2	REV
---------------	----------------	-----------------------	-----

DEC FORM NO EN-01022-16-01370-1(201)
DRA 100

SHEET 4 OF 7

146

ENGINEERING SPECIFICATION CONTINUATION SHEET

TITLE MS8-C 32K PDP-8 MOS MEMORY ENGINEERING SPECIFICATION

ENVIRONMENTAL: DEC Std 102 Class "C".

SIZE	CODE	NUMBER	REV
A		MS8-C-1	

DEC FORM NO EN-01022-10-N370-1301
DRA 108

SHEET 5 OF 7

ENGINEERING SPECIFICATION CONTINUATION SHEET

TITLE MS8-C 32K PDP-8 MOS MEMORY ENGINEERING SPECIFICATION

TABLE 1

A CONN			B CONN		
SIDE 1		SIDE 2	SIDE 1		SIDE 2
T.P. T MARGIN 1	A	+5V	T.P. T MARGIN 2	A	+5V
T.P. TMJXL	B	---	T.P. T DSTB1L	B	---
GND	C	GND	GND	C	GND
MA0L	D	EMA0L	MA4L	D	---
MA1L	E	EMA1L	MA5L	E	---
GND	F	GND	GND	F	GND
MA2L	H	EMA2L	MA6L	H	---
MA3L	J	---	MA7L	J	---
MD0L	K	MD DIR L	MD4L	K	---
MD1L	L	SOURCE H	MD5L	L	---
MD2L	M	STROBE H	MD6L	M	---
GND	N	GND	GND	N	GND
MD3L	P	---	MD7L	P	---
---	R	---	---	R	STALL L
---	S	WRITE H	---	S	---
GND	T	GND	GND	T	GND
---	U	ROM ADRS L	---	U	RUN L
---	V	---	---	V	POWER OK H

C CONN			D CONN		
SIDE 1		SIDE 2	SIDE 1		SIDE 2
T.P. TRAS L	A	+5V	T.P. -5V MARGIN	A	---
T.P. LOCKOUT 1	B	-15V	T.P. REF OSC H	B	---
GND	C	GND	GND	C	GND
---	D	---	MA8L	D	---
---	E	---	MA9L	E	---
GND	F	GND	GND	F	GND
---	H	TP3H	MA10L	H	---
---	J	---	MA11L	J	---
BUS STROBE L	K	---	MD8L	K	---
---	L	---	MD9L	L	---
NOT LAST XFER L	M	---	MD10L	M	---
GND	N	GND	GND	N	GND
---	P	---	MD11L	P	---
---	R	---	---	R	---
---	S	---	---	S	---
GND	T	GND	GND	T	GND
---	U	---	---	U	---
---	V	---	---	V	---

SIZE	CODE	NUMBER	REV
A		MS8-C-2	

DEC FORM NO EN-01022-10-N370-1301
DRA 108

SHEET 6 OF 7

ENGINEERING SPECIFICATION CONTINUATION SHEET

TITLE MS8-C 32K PDP-8 MOS MEMORY ENGINEERING SPECIFICATION

TABLE 1
(Continued)

E CONN			F CONN		
SIDE 1		SIDE 2	SIDE 1		SIDE 2
T.P. REF DIS L	A	---	↑ B L A N K ↓		
T.P. POS 1	B	BANK SEL 0L			
GND	C	GND			
T.P. POS 2	D	BANK SEL 1L			
T.P. POS 3	E	---			
GND	F	GND			
T.P. POS 4	H	---			
T.P. POS 5	J	---			
T.P. POS 6	K	---			
T.P. POS 7	L	BANK SEL 2L			
T.P. POS 8	M	---			
GND	N	GND			
T.P. +12V MARGIN	P	---			
T.P. -5V	R	BANK SEL 3L			
---	S	---			
---	T	GND			
---	U	---			
T.P. +12V	V	---			

SIZE	CODE	NUMBER	REV
A	SP	MS8-C-2	

DEC FORM NO EN-01022-10-N370-1301
DRA 108

SHEET 7 OF 7

THIS DRAWING AND SPECIFICATIONS HEREAFTER ARE THE PROPERTY OF DIGITAL EQUIPMENT CORPORATION AND SHALL NOT BE REPRODUCED OR COPIED OR USED IN WHOLE OR IN PART AS THE BASIS FOR THE MANUFACTURE OR SALE OF ITEMS WITHOUT WRITTEN PERMISSION.
 COPYRIGHT © 1977 DIGITAL EQUIPMENT CORPORATION

MB417-AA (16K)
X = SWITCH OPEN OR OFF

	E62-1	E62-2	E62-3	E62-4	E62-5	E62-6	E62-7	E62-8
0-16	X							
16-32		X						
32-48			X					
48-64				X				
64-80					X			
80-96						X		
96-112							X	
112-128								X

MB417-BA (32K)
X = SWITCH OPEN OR OFF

	E62-1	E62-2	E62-3	E62-4	E62-5	E62-6	E62-7	E62-8
0-32	X	X						
16-48		X	X					
32-64			X	X				
48-80				X	X			
64-96					X	X		
80-112						X	X	
96-128							X	X

NOTES:

- MODULE DESIGNATION: MB417-AA = MB417-AB, -AC, -AD, AE, ETC.
16K MOS MEMORY
REFERENCE DESIGNATIONS NOT USED:
E101 E201 E301 E401
E103 E203 E303 E403
E105 E205 E305 E405
E107 E207 E307 E407
E109 E209 E309 E409
E111 E211 E311 E411
E113 E213 E313 E413
E115 E215 E315 E415
E117 E217 E317 E417
E119 E219 E319 E419
E121 E221 E321 E421
E123 E223 E323 E423
- MODULE DESIGNATION: MB417-BA = MB417-BB, -BC, -BD, -BE, ETC.
32K MOS MEMORY
- ALL 8837'S HAVE PINS 7 & 9 GROUNDED.
- TIMING RESISTORS R87 AND R92 MAY BE REMOVED AT MODULE TEST FOR TIMING ADJUSTMENTS.
- TIMING RESISTORS R88, R100, R140 MAY BE INSTALLED AT MODULE TEST FOR TIMING ADJUSTMENTS.

JUMPER CONFIGURATIONS

JUMPER	MB417-AA (16K)	MB417-BA (32K)
W2	X	X
W3	X	X
W4	X	X
W9	X	X
W10	X	
W11	X	X

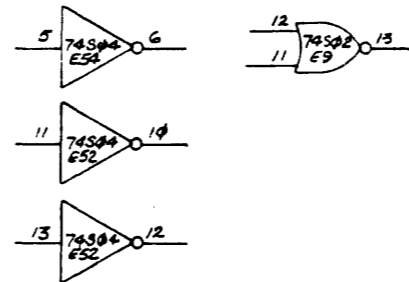
ALL JUMPERS ARE MARCHMIS INSERTABLE.

THESE JUMPERS ARE REMOVED:
W1, W5, W6, W7, W8, W12, W13, W14, W15, W16
X = JUMPER INSTALLATION

IC PIN LOCATIONS

IC TYPE	GND	+5	-5	+12
555	1	8		
7493	10	5		
74LS75	12	5		
8640	1	8		
75107B	7	14	13	
MK4027	16	9	1	8
OTHER 16 PIN IC'S	8	16		
OTHER 14 PIN IC'S	7	14		
75451	4	8		

SPARES

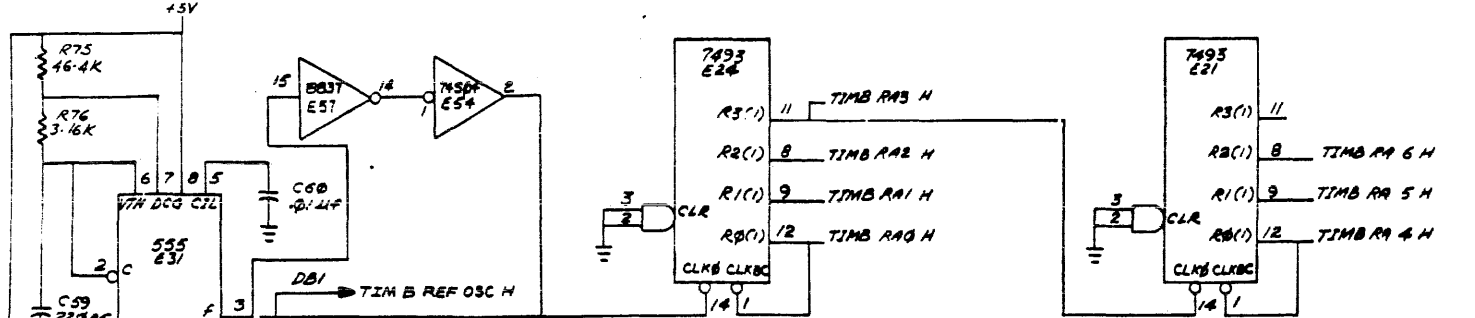


R88	3.16K 1/4W 1% MF	13-03045-00
R100	604Ω 1/4W 1% MF	13-13155-00
R140	1.21K 1/4W 1% MF	13-02871-00

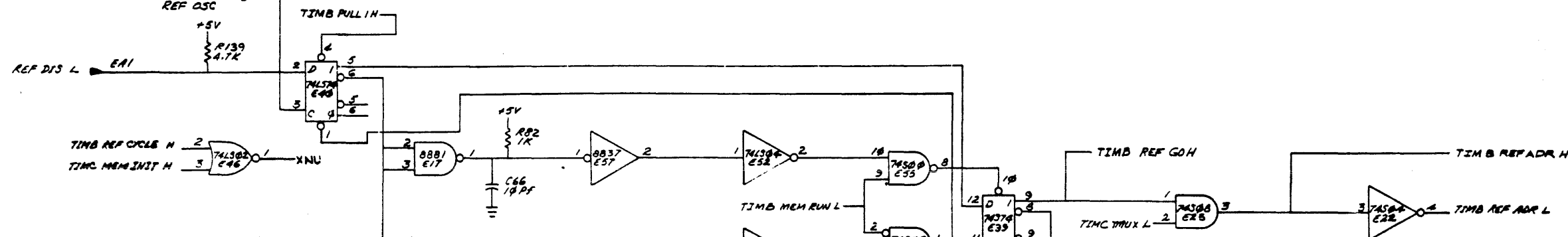
REV	DATE	BY	CHKD
1	11/10/77	J. STEGEMAN	J. STEGEMAN
2	11/10/77	J. STEGEMAN	J. STEGEMAN
3	11/10/77	J. STEGEMAN	J. STEGEMAN
4	11/10/77	J. STEGEMAN	J. STEGEMAN
5	11/10/77	J. STEGEMAN	J. STEGEMAN
6	11/10/77	J. STEGEMAN	J. STEGEMAN
7	11/10/77	J. STEGEMAN	J. STEGEMAN
8	11/10/77	J. STEGEMAN	J. STEGEMAN

DRN. ANGEL COLM 4/28/77	FIRST USED ON	MS8-C
CHKD. J. STEGEMAN 11/10/77	TITLE	FDP8 MOS MEMORY
ENGR. J. STEGEMAN 11/10/77	SCALE	NCNE
PROD. ENG. J. STEGEMAN 11/10/77	SIZE CODE	D CS
PROD. ENG. J. STEGEMAN 11/10/77	NUMB. 1	MB417-0-1
NEXT HIGH ASSEMBLY	REV.	E
15-DD-MB417-0	SHEET	OF 14
DIST.		

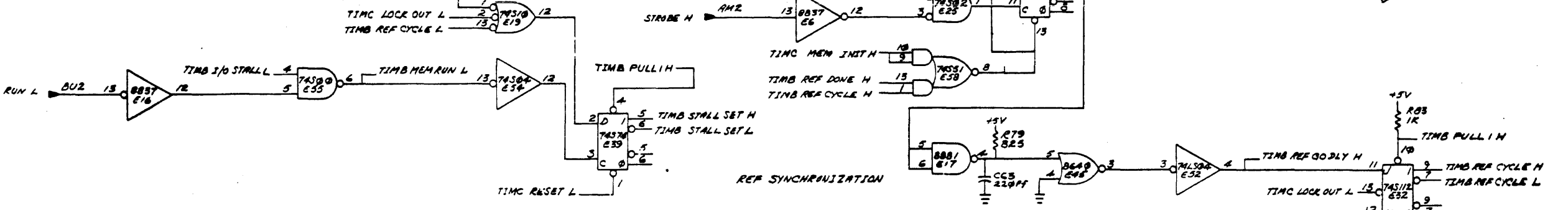
THIS DRAWING AND SPECIFICATIONS HEREIN ARE THE PROPERTY OF DIGITAL EQUIPMENT CORPORATION AND SHALL NOT BE REPRODUCED OR COPIED OR USED IN WHOLE OR IN PART AS THE BASIS FOR THE MANUFACTURE OR SALE OF ITEMS WITHOUT WRITTEN PERMISSION. COPYRIGHT © 1977, DIGITAL EQUIPMENT CORPORATION.



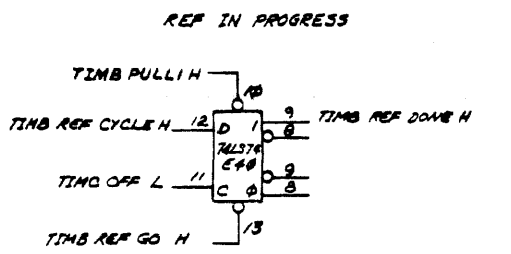
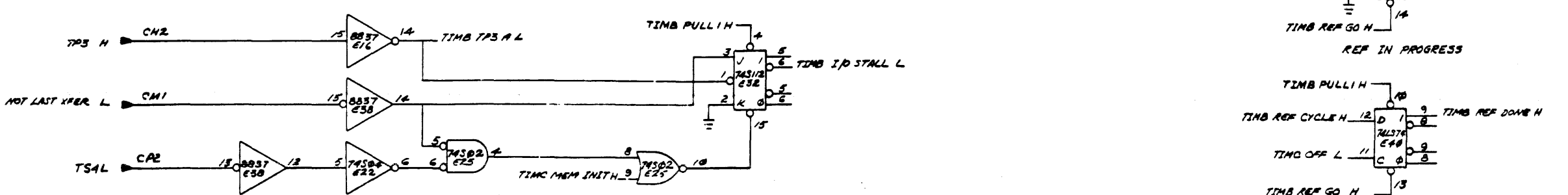
REF COUNTER



REF SYNCHRONIZATION



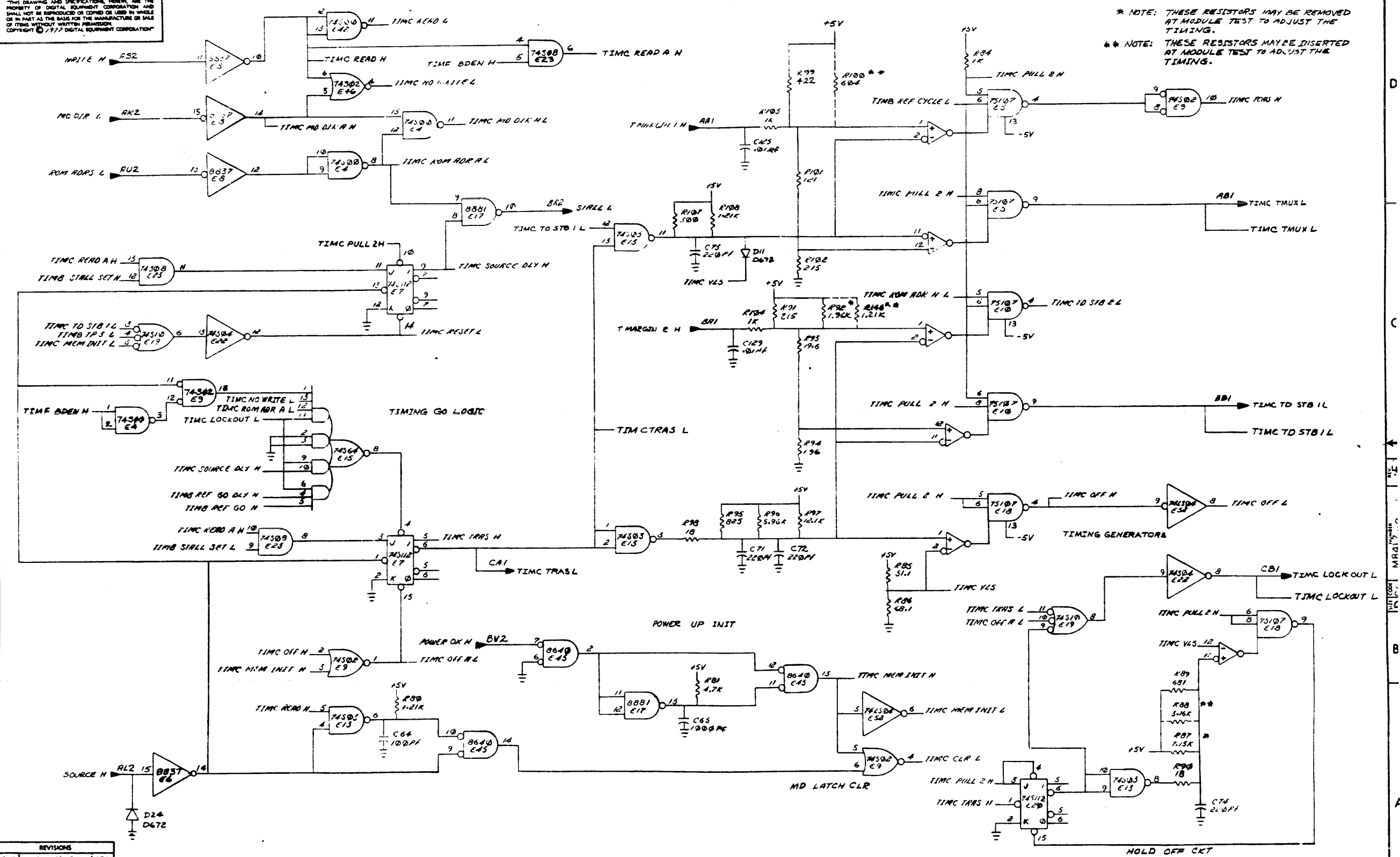
I/O STALL DETECTION



REVISIONS			TITLE	SIZE/CODE	NUMBER	REV.
CHK	CHANGE NO.	REV.	PDP8 MOS MEMORY (TIM B)	D 33	MS417-0-1	E
			SCALE NONE	SHEET 2 OF 14	DIST.	

THIS DRAWING AND SPECIFICATIONS HEREIN ARE THE PROPERTY OF DIGITAL EQUIPMENT CORPORATION AND SHALL NOT BE REPRODUCED OR COPIED OR USED IN WHOLE OR IN PART AS THE BASIS FOR THE MANUFACTURE OR SALE OF ITEMS WITHOUT WRITTEN PERMISSION. COPYRIGHT © 1977 DIGITAL EQUIPMENT CORPORATION.

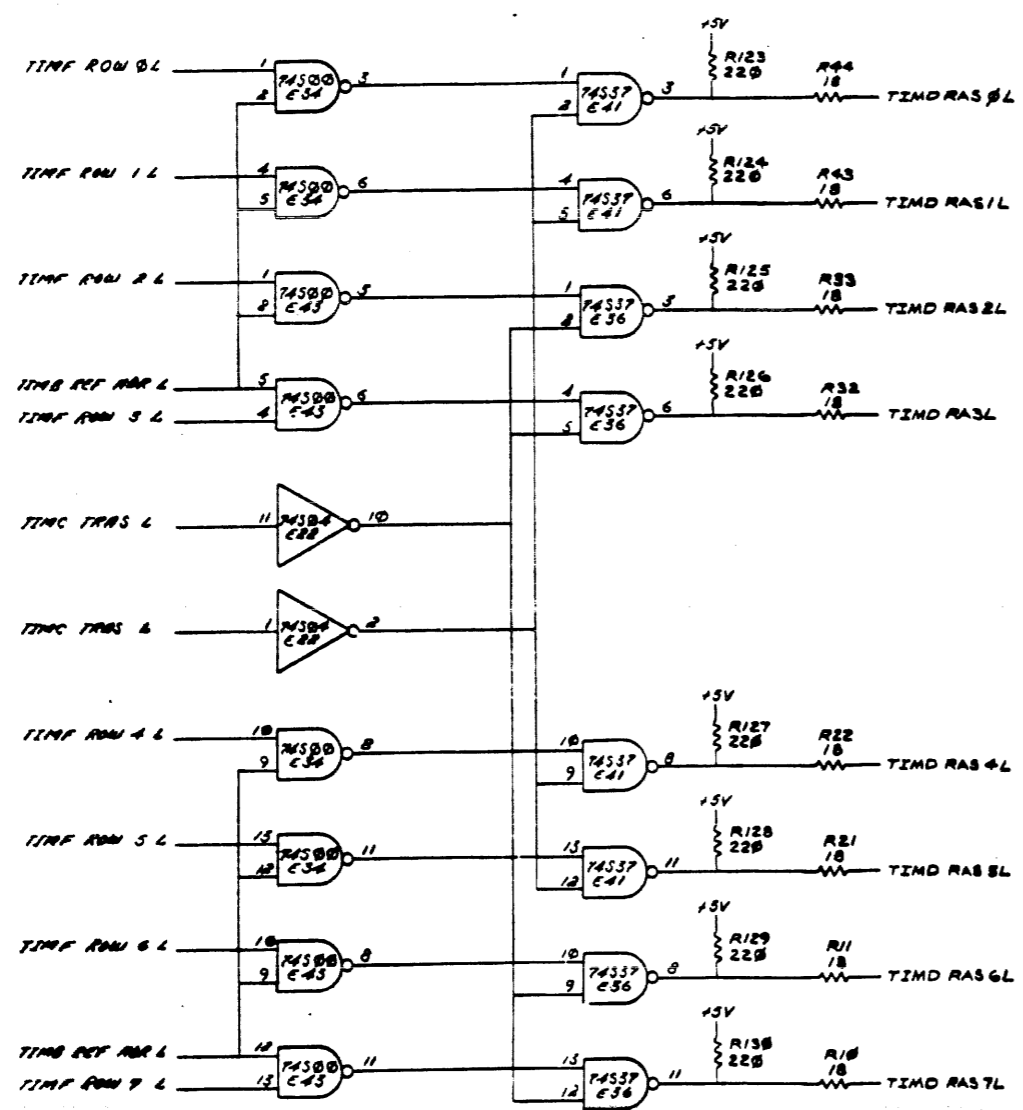
* NOTE: THESE RESISTORS MAY BE REMOVED AT MODULE TEST TO ADJUST THE TIMING.
 ** NOTE: THESE RESISTORS MAY BE DISERTED AT MODULE TEST TO ADJUST THE TIMING.



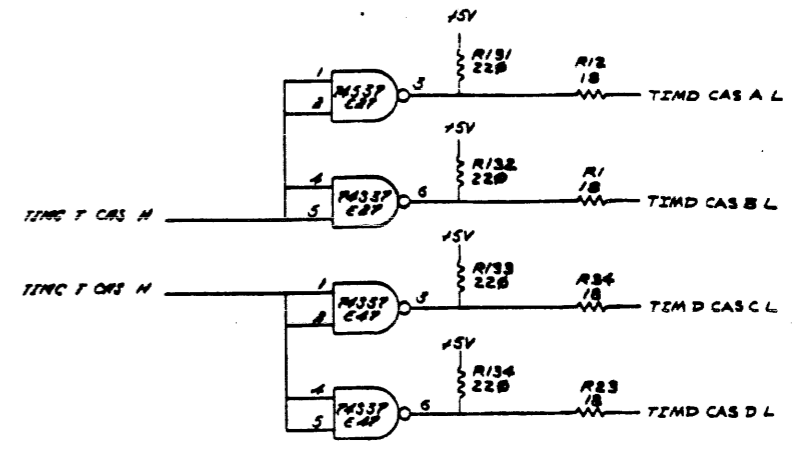
REV	CHG	NO	REV

TITLE	PDP8 MOS MEMORY (TIMC)	SIZE CODE	DCC	NUMBER	M8417-0-1	REV.	E
SCALE	NONE	SHEET	3 OF 14	DIST.			

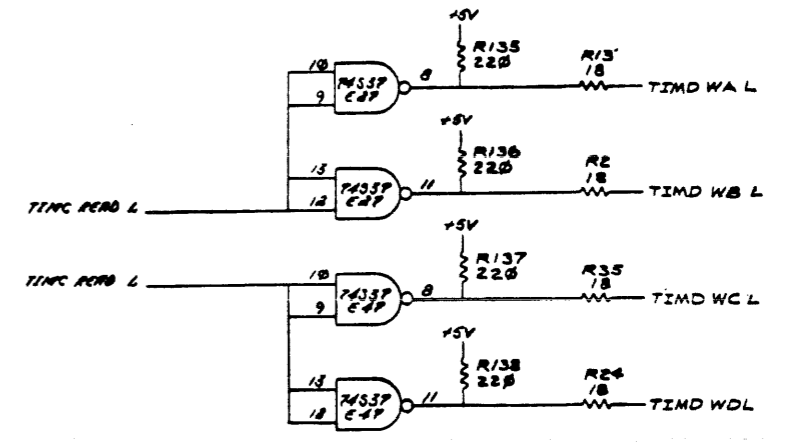
THIS DRAWING AND SPECIFICATIONS HEREIN ARE THE PROPERTY OF DIGITAL EQUIPMENT CORPORATION AND SHALL NOT BE REPRODUCED OR COPIED OR USED IN WHOLE OR IN PART AS THE BASIS FOR THE MANUFACTURE OR SALE OF ITEMS WITHOUT WRITTEN PERMISSION. COPYRIGHT © 1977 DIGITAL EQUIPMENT CORPORATION



RAS DRIVERS & SELECT



CAS DRIVERS

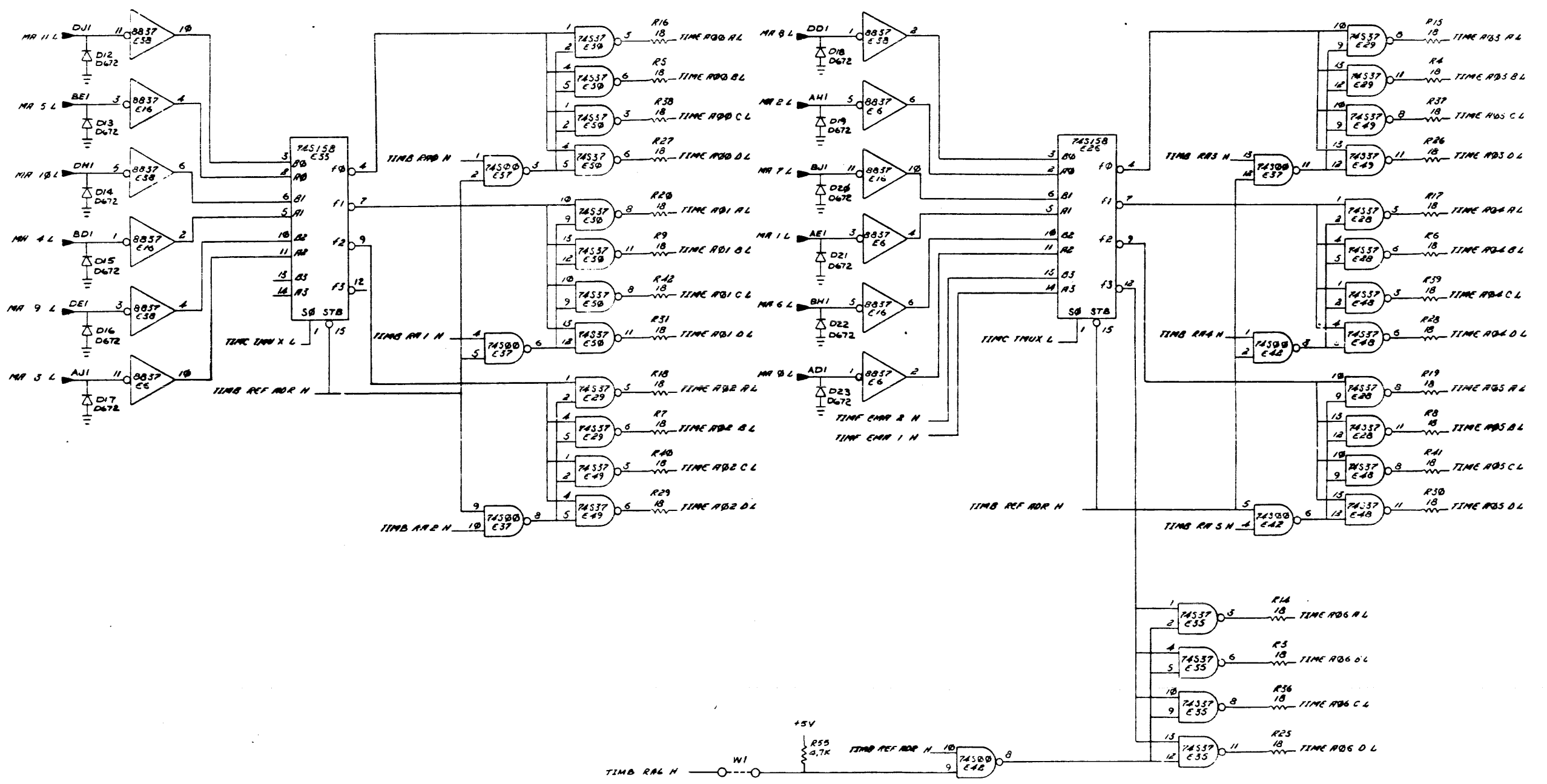


WRITE ENABLE DRIVERS

REVISIONS		
CHK	CHANGE NO.	REV.

TITLE	(TIMD)	SIZE CODE	NUMBER	REV.
PDP8 MOS MEMORY	DCS	M8417-0-1	E	
SCALE	NONE	SHEET	4 OF 14	DIST.

THIS DRAWING AND SPECIFICATIONS HEREIN ARE THE PROPERTY OF DIGITAL EQUIPMENT CORPORATION AND SHALL NOT BE REPRODUCED OR COPIED OR USED IN WHOLE OR IN PART AS THE BASIS FOR THE MANUFACTURE OR SALE OF ITEMS WITHOUT WRITTEN PERMISSION. COPYRIGHT © 1977 DIGITAL EQUIPMENT CORPORATION

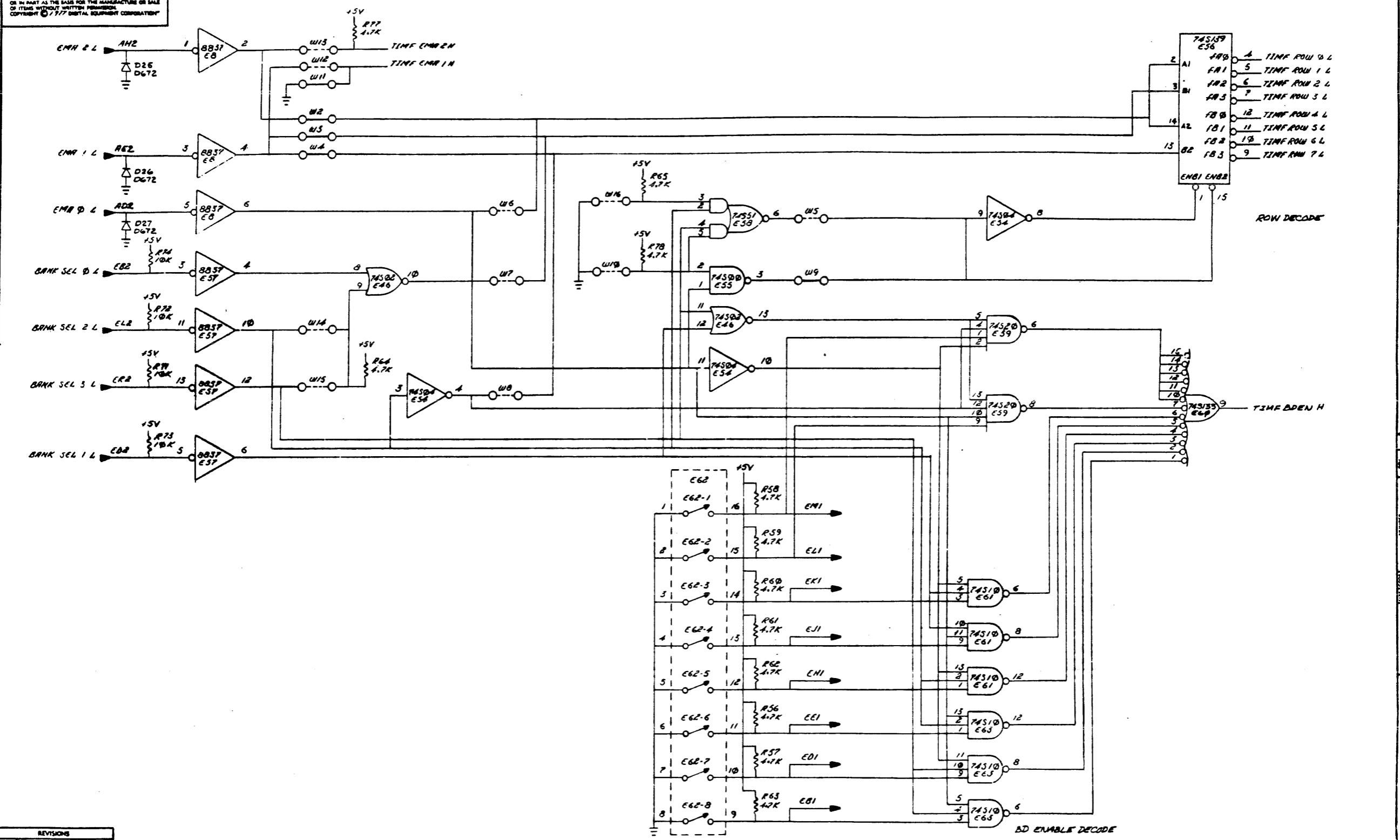


ROW, COLUMN & REF ADR MUX & ADR DRIVERS

REVISIONS		
CHK	CHANGE NO	REV

TITLE	PDP8 MOS MEMORY	SIZE CODE	DCS	NUMBER	M8417-(2)-1	REV.	E
SCALE	NONE	SHEET	5	OF	14	DIST.	

THIS DRAWING AND SPECIFICATIONS HEREIN ARE THE PROPERTY OF DIGITAL EQUIPMENT CORPORATION AND SHALL NOT BE REPRODUCED OR COPIED OR USED IN WHOLE OR IN PART AS THE BASIS FOR THE MANUFACTURE OR SALE OF ITEMS WITHOUT WRITTEN PERMISSION. COPYRIGHT © 1977 DIGITAL EQUIPMENT CORPORATION

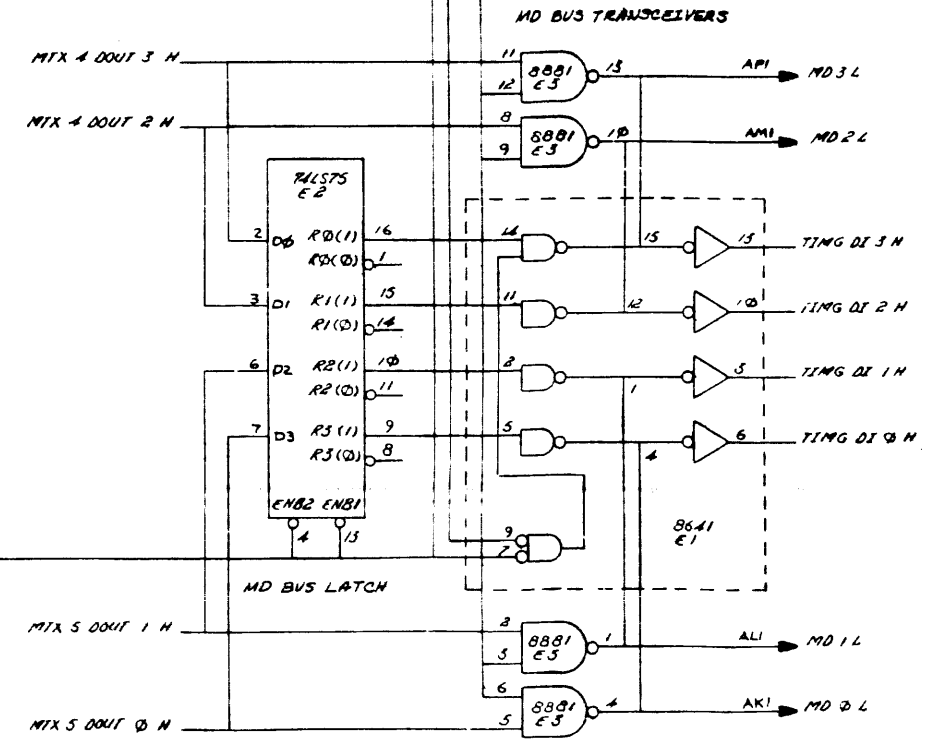
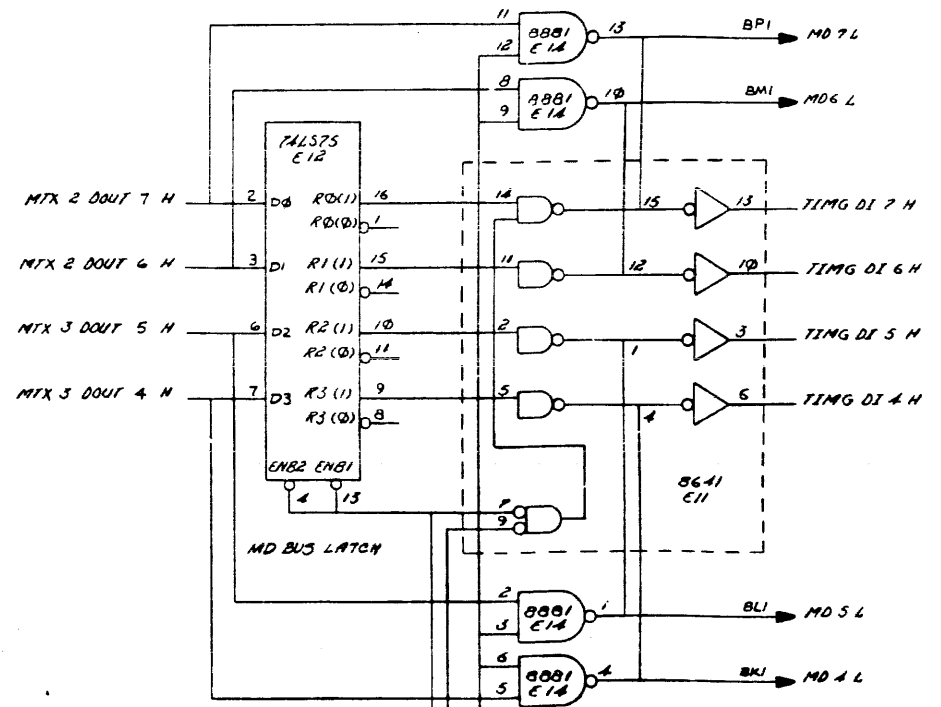
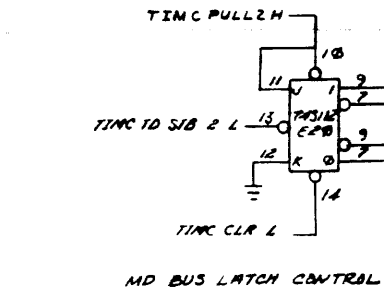
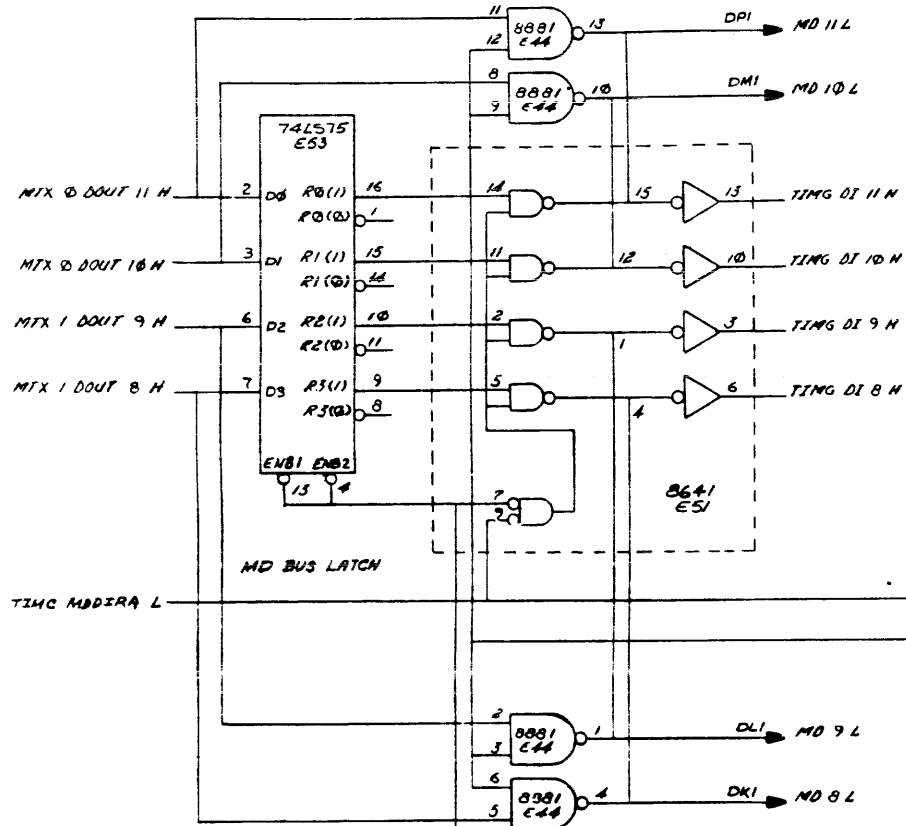


REVISIONS		
CHK	CHANGE NO	REV

TITLE	(TIME)	SIZE CODE	NUMB. R	REV.
PDP8 MOS MEMORY	D CS	M8417-0-1	E	
SCALE	NOTE	SHEET 6 OF 14	DIST.	

THIS DRAWING AND SPECIFICATIONS HEREIN ARE THE PROPERTY OF DIGITAL EQUIPMENT CORPORATION AND SHALL NOT BE REPRODUCED OR COPIED OR USED IN WHOLE OR IN PART AS THE BASIS FOR THE MANUFACTURE OR SALE OF ITEMS WITHOUT WRITTEN PERMISSION. COPYRIGHT © 1977 DIGITAL EQUIPMENT CORPORATION

MD BUS TRANSCEIVERS

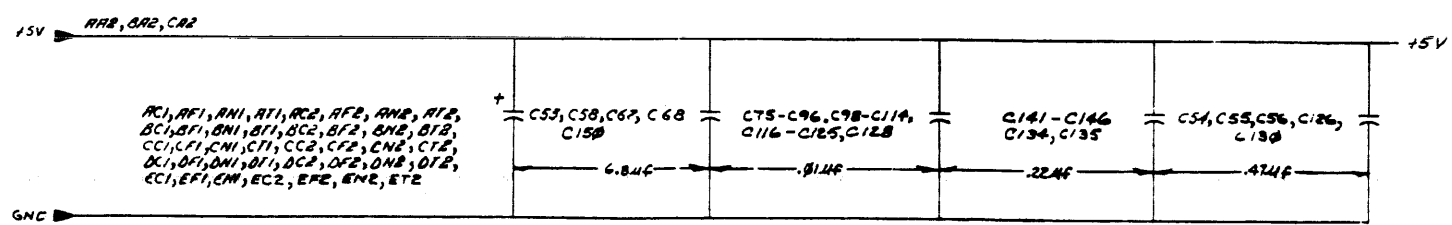
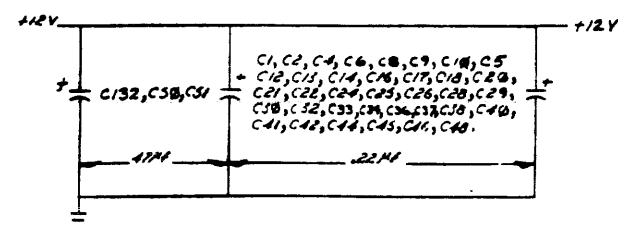
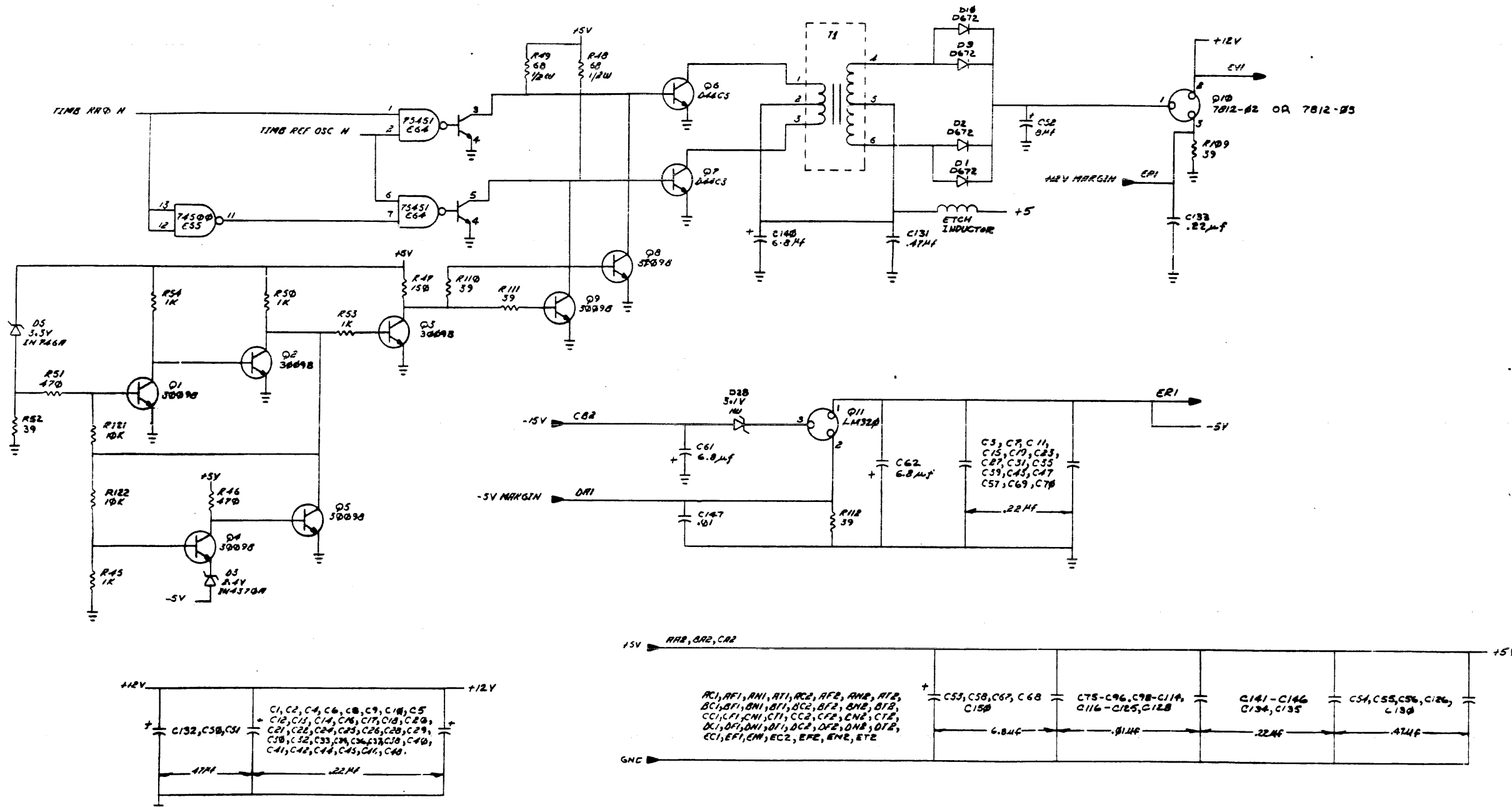


REVISIONS		
CHK	CHANGE NO.	REV

TITLE	(TIMG) PDP8 MOS MEMORY	SIZE CODE	DOS	NUMBER	M8417-0-1	REV.	E
SCALE	NONE	SHEET	7 OF 14	DIST.			

"THIS DRAWING AND SPECIFICATIONS, HEREIN, ARE THE PROPERTY OF DIGITAL EQUIPMENT CORPORATION AND SHALL NOT BE REPRODUCED OR COPIED OR USED IN WHOLE OR IN PART AS THE BASIS FOR THE MANUFACTURE OR SALE OF ITEMS WITHOUT WRITTEN PERMISSION. COPYRIGHT © 1977 DIGITAL EQUIPMENT CORPORATION"

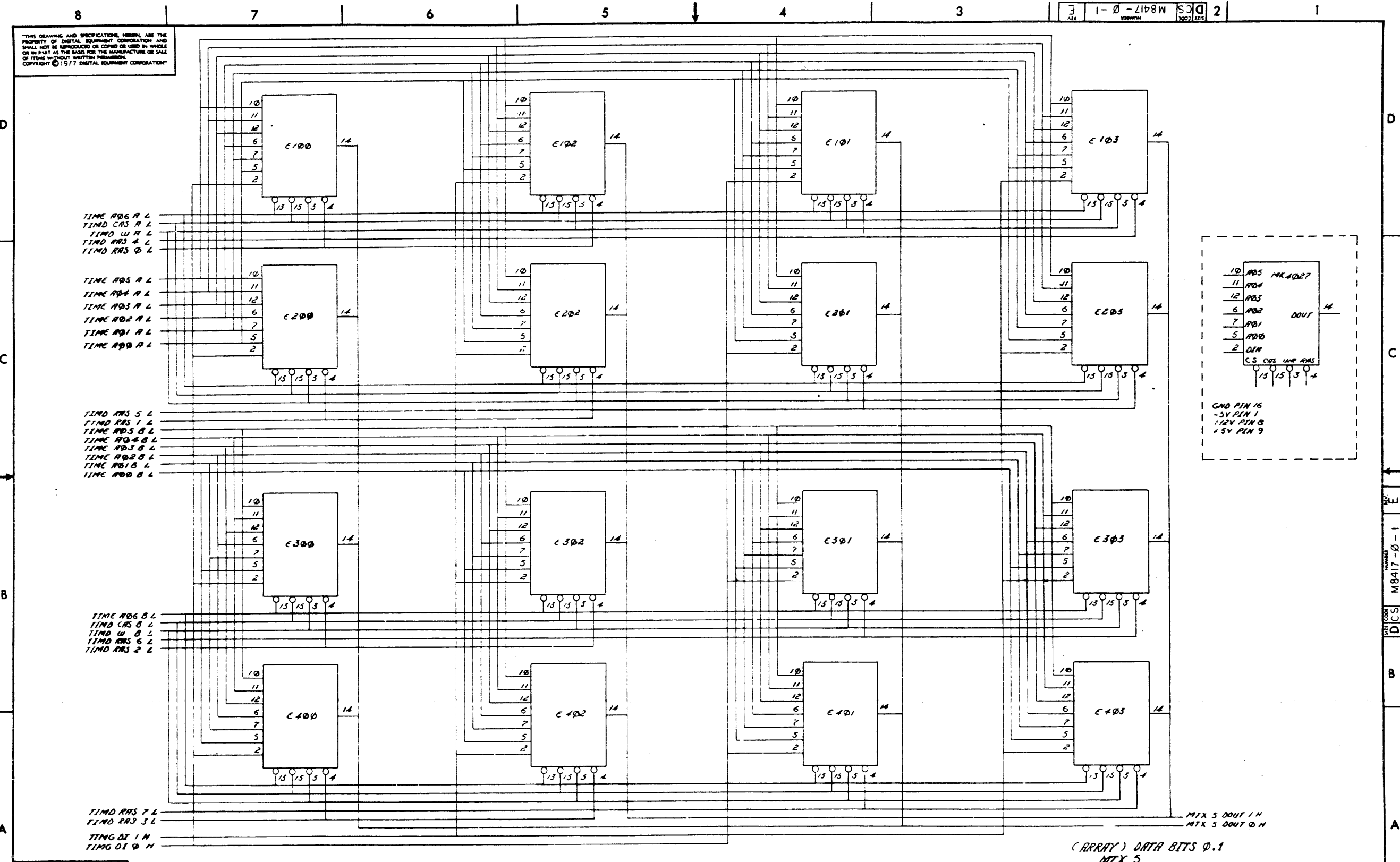
CS 847-0-1 2



REVISIONS		
CHK	CHANGE NO.	REV.

TITLE	(TIM)	SIZE CODE	NUMBER	REV.
PDP8 MOS MEMORY	D CS	M847-0-1	E	
SCALE	NONE	SHEET	8 OF 14	DIST.

THIS DRAWING AND SPECIFICATIONS HEREIN ARE THE PROPERTY OF DIGITAL EQUIPMENT CORPORATION AND SHALL NOT BE REPRODUCED OR COPIED OR USED IN WHOLE OR IN PART AS THE BASIS FOR THE MANUFACTURE OR SALE OF ITEMS WITHOUT WRITTEN PERMISSION. COPYRIGHT © 1977 DIGITAL EQUIPMENT CORPORATION

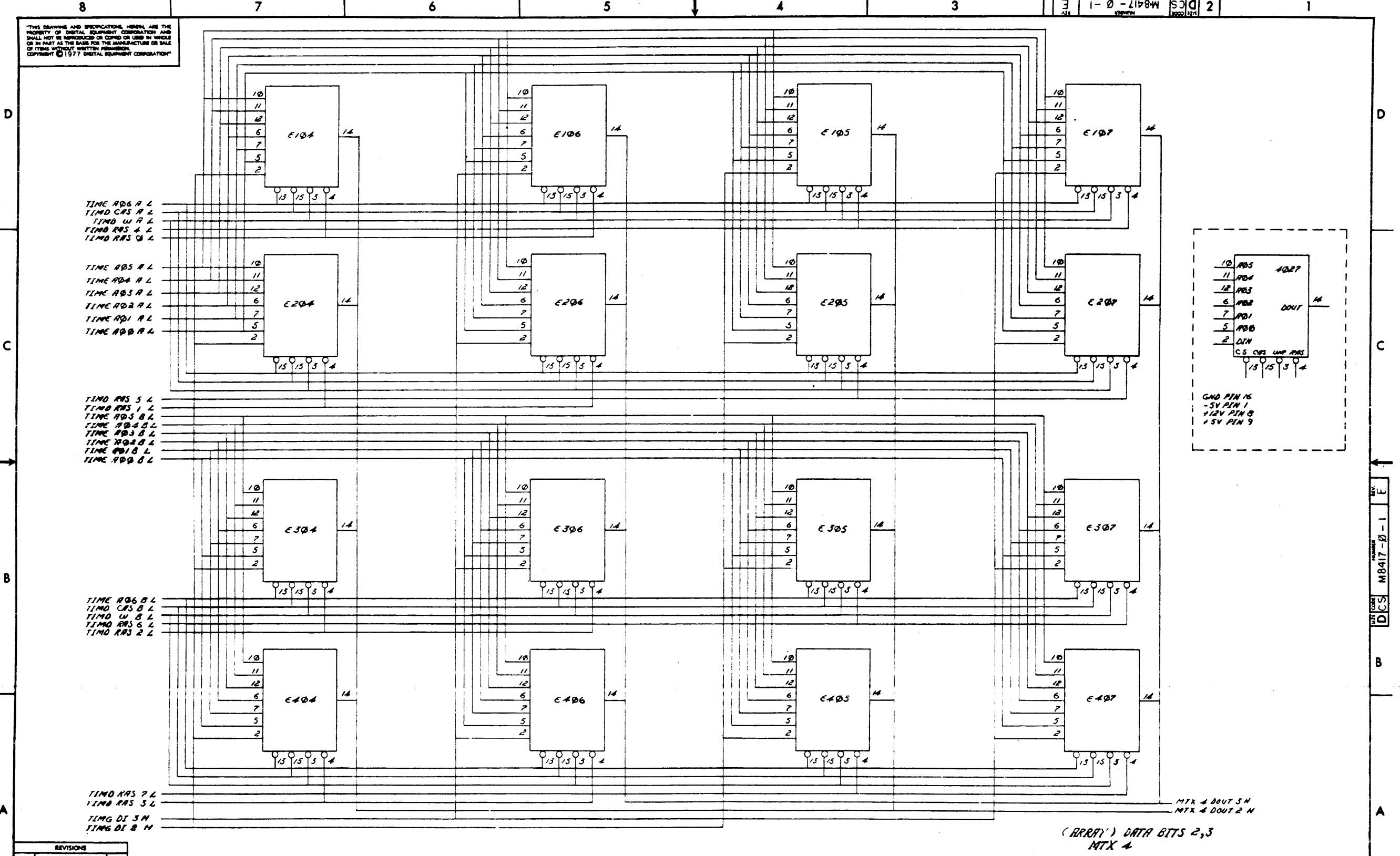


(ARRAY) DATA BITS 0,1
MTX 5

REVISIONS		
CHK	CHANGE NO.	REV

TITLE	PDP8 MOS MEMORY	SIZE CODE	DCS	NUMBER	M8417-0-1	REV.	E
SCALE	NONE	SHEET	9 OF 14	DIST.			

THIS DRAWING AND SPECIFICATIONS HEREON ARE THE PROPERTY OF DIGITAL EQUIPMENT CORPORATION AND SHALL NOT BE REPRODUCED OR COPIED OR USED IN WHOLE OR IN PART AS THE BASIS FOR THE MANUFACTURE OR SALE OF ITEMS WITHOUT WRITTEN PERMISSION. COPYRIGHT © 1977 DIGITAL EQUIPMENT CORPORATION



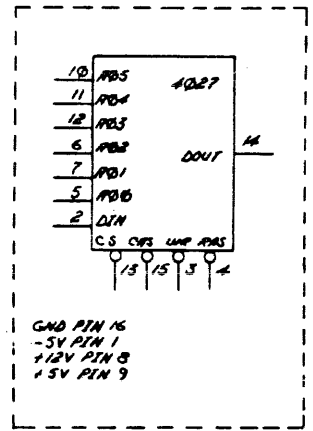
TIME R06 A L
TIME R05 A L
TIME W A L
TIME R05 4 L
TIME R05 0 L

TIME R05 A L
TIME R04 A L
TIME R03 A L
TIME R02 A L
TIME R01 A L
TIME R00 A L

TIME R05 5 L
TIME R05 1 L
TIME R05 B L
TIME R04 B L
TIME R03 B L
TIME R02 B L
TIME R01 B L
TIME R00 B L

TIME R06 B L
TIME R05 B L
TIME W B L
TIME R05 6 L
TIME R05 2 L

TIME R05 7 L
TIME R05 3 L
TIME DI 5 H
TIME DI 8 H



GND PIN 16
-5V PIN 1
+12V PIN 8
+5V PIN 9

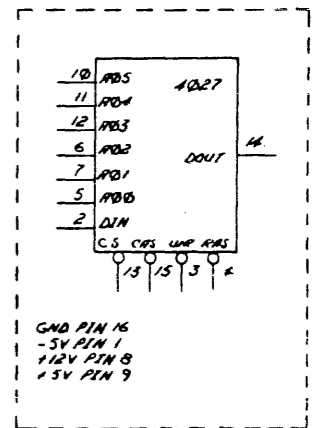
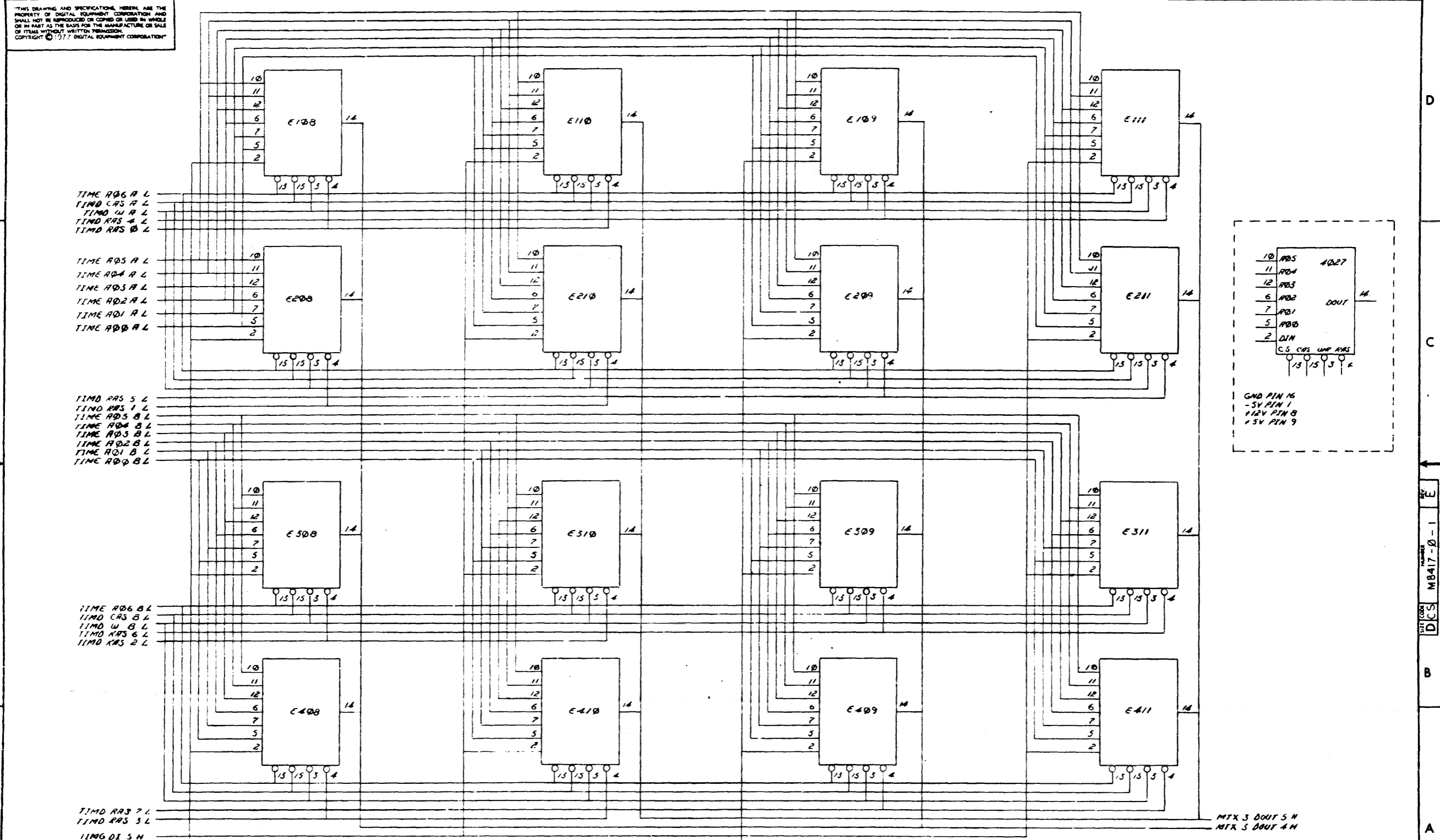
MTX 4 DOUT 5 H
MTX 4 DOUT 2 H

(ARRAY) DATA BITS 2,3
MTX 4

REVISIONS		
CHK	CHANGE NO	REV.

TITLE	PDP8 MOS MEMORY	SIZE CODE	DCS	NUMBER	M8417-0-1	REV.	E
SCALE	NONE	SHEET	10	OF	14	DIST.	

"THIS DRAWING AND SPECIFICATIONS HEREIN ARE THE PROPERTY OF DIGITAL EQUIPMENT CORPORATION AND SHALL NOT BE REPRODUCED OR COPIED OR USED IN WHOLE OR IN PART AS THE BASIS FOR THE MANUFACTURE OR SALE OF ITEMS WITHOUT WRITTEN PERMISSION. COPYRIGHT © 1977 DIGITAL EQUIPMENT CORPORATION"



REVISIONS		
CHK	CHANGE NO	REV

TITLE	PDP8 MOS MEMORY	SIZE CODE	DCS	NUMBER	MB417-0-1	REV.	E
SCALE	NONE	SHEET	11 OF 14	DIST.			

THIS DRAWING AND SPECIFICATIONS HEREIN ARE THE PROPERTY OF DIGITAL EQUIPMENT CORPORATION AND SHALL NOT BE REPRODUCED OR COPIED OR USED IN WHOLE OR IN PART AS THE BASIS FOR THE MANUFACTURE OR SALE OF ITEMS WITHOUT WRITTEN PERMISSION. COPYRIGHT © 1977 DIGITAL EQUIPMENT CORPORATION

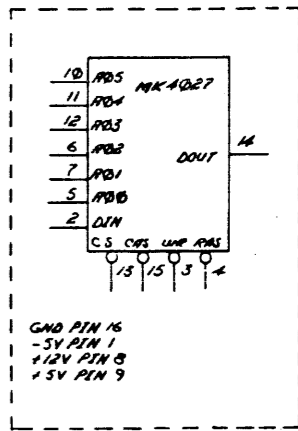
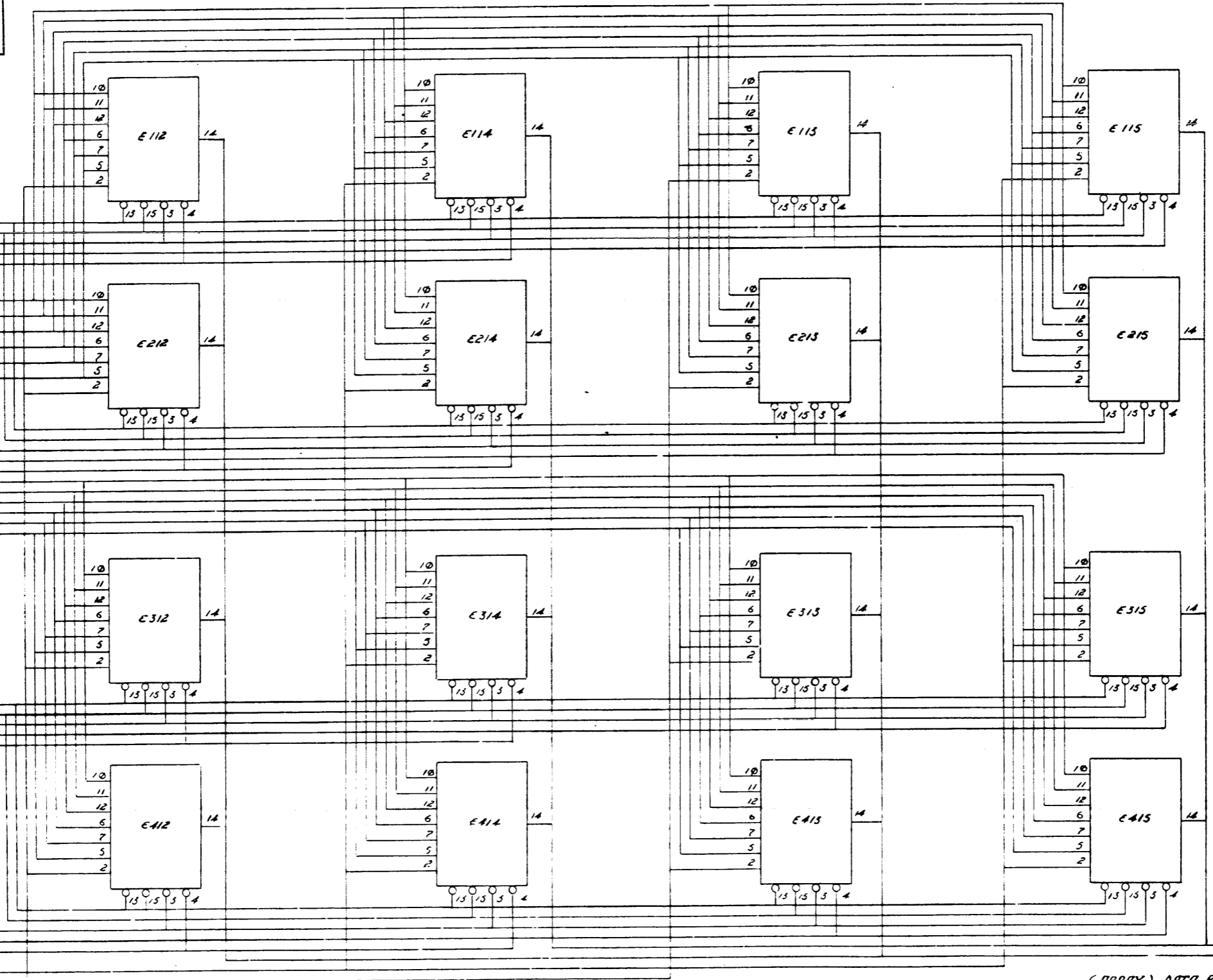
TIME RD6 C L
TIME CAS C L
TIME W C L
TIME RAS A L
TIME RAS B L

TIME RD5 C L
TIME RD4 C L
TIME RD3 C L
TIME RD2 C L
TIME RD1 C L
TIME RD0 C L

TIME RAS 5 L
TIME RAS 1 L
TIME RD5 D L
TIME RD4 D L
TIME RD3 D L
TIME RD2 D L
TIME RD1 D L
TIME RD0 D L

TIME RD6 D L
TIME CAS D L
TIME W D L
TIME RAS 6 L
TIME RAS 2 L

TIME RAS 7 L
TIME RAS 3 L
TIME DI 7 H
TIME DI 6 H



GND PIN 16
-5V PIN 1
+12V PIN 8
+5V PIN 9

MTX 2 DOUT 7 H
MTX 2 DOUT 6 H

(ARRAY) DATA BITS 6, 7
MTX 2

REVISIONS		
CHK	CHANGE NO	REV

TITLE	PDP8 MOS MEMORY	SIZE CODE	DCS	NUMB.R	MR417-0-1	REV.	E
SCALE	NONE	SHEET	12 OF 14	DIST.			

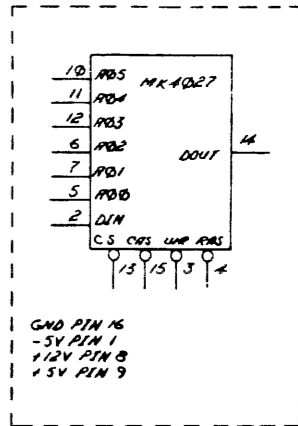
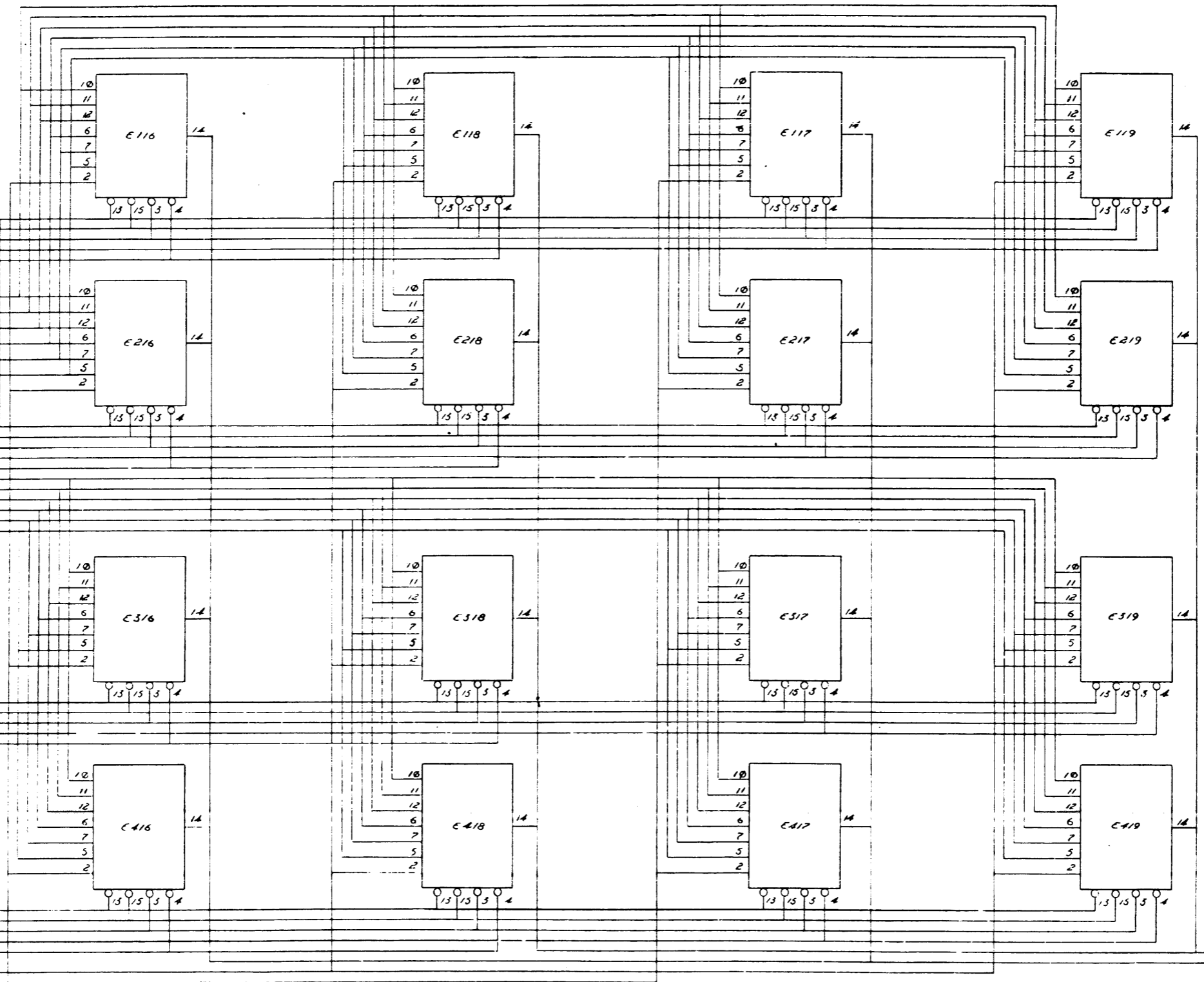
THIS DRAWING AND SPECIFICATIONS HEREIN ARE THE PROPERTY OF DIGITAL EQUIPMENT CORPORATION AND SHALL NOT BE REPRODUCED OR COPIED OR USED IN WHOLE OR IN PART AS THE BASIS FOR THE MANUFACTURE OR SALE OF ITEMS WITHOUT WRITTEN PERMISSION. COPYRIGHT © 1977 DIGITAL EQUIPMENT CORPORATION

D

C

B

A



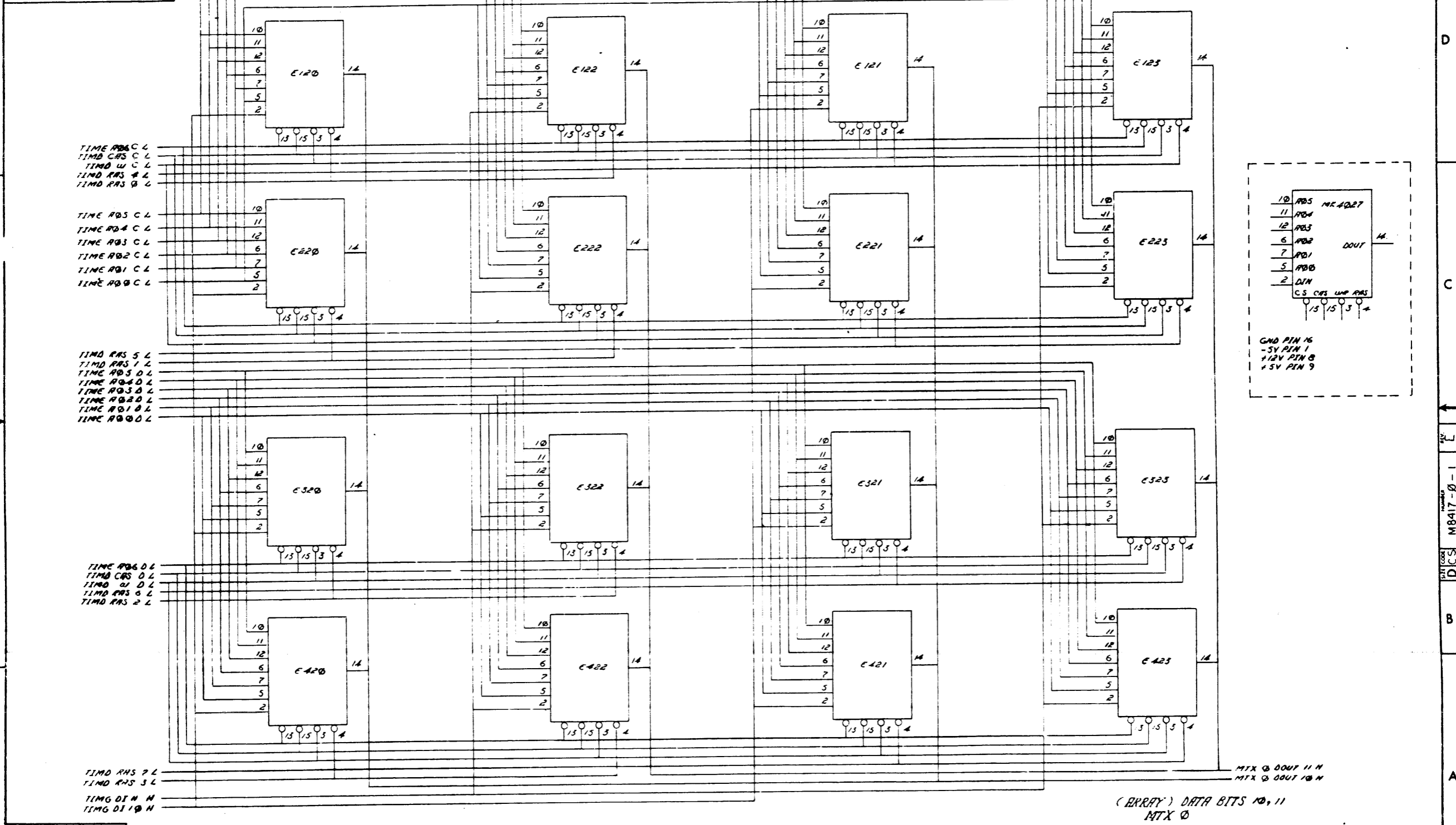
REV. E
M8417-0-1
DCS

(ARRAY) DATA BITS 8,9
MTX 1

REVISIONS		
CHK	CHANGE NO	REV

TITLE	PDP8 MOS MEMORY	SIZE CODE	DCS	NUMBER	M8417-0-1	REV.	E
SCALE	NONE	SHEET	13	OF	14	DIST.	

THIS DRAWING AND SPECIFICATIONS HEREIN ARE THE PROPERTY OF DIGITAL EQUIPMENT CORPORATION AND SHALL NOT BE REPRODUCED OR COPIED OR USED IN WHOLE OR IN PART AS THE BASIS FOR THE MANUFACTURE OR SALE OF ITEMS WITHOUT WRITTEN PERMISSION. COPYRIGHT © 1977 DIGITAL EQUIPMENT CORPORATION



REVISIONS		
CHK	CHANGE NO	REV

TITLE	PDP8 MOS MEMORY	SIZE CODE	DCS	NUMBER	M8417-0-1	REV.	E
SCALE	NONE	SHEET	14	OF	14	DIST.	